

## Application Sheet

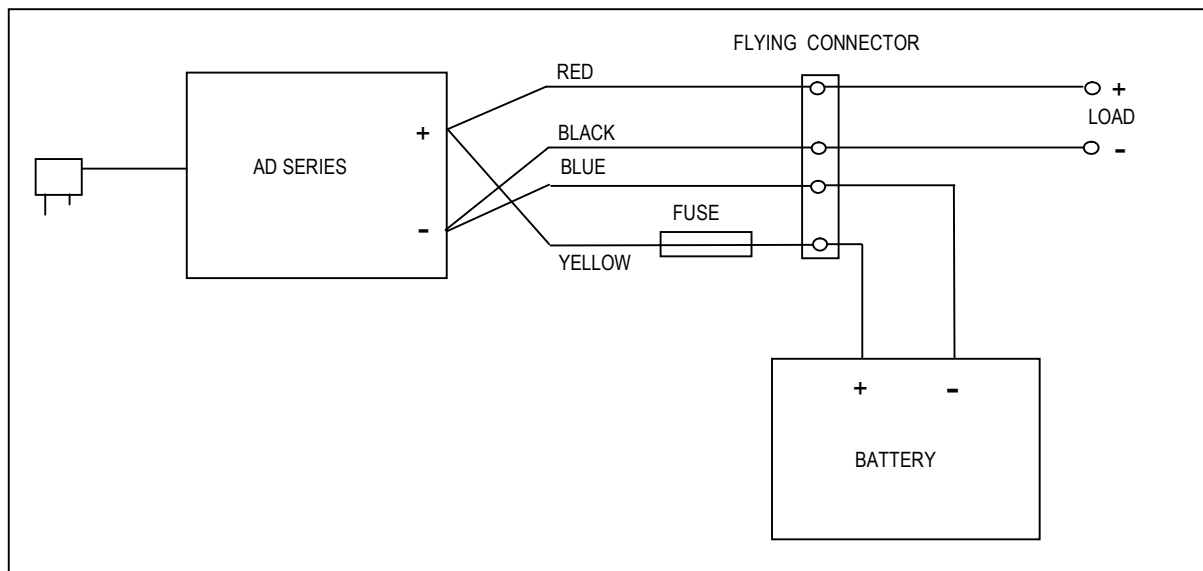
The Alfatronix AD Series “Brick” Variants do not have an integral battery back up system. A convenient way to connect a back up battery to supply power to the radio in the event of a mains failure is shown below.

The AD115/230-12 range can be used to charge any 12V battery although the approximate charging times (to 80% capacity) will vary according unit used and the capacity of the battery as illustrated in the table below:

Approximate times for an AD115/230-12 108

Battery capacity	7Ah	35Ah	50Ah	110Ah
Charging time to 80%	1hr	7hrs	10hrs	18hrs

A cable loom is supplied which has a battery protection fuse and flying leads for connection to the load and battery backup.



For the AD115/230-12 072 the fuse rating is set to 10A  
 For the AD115/230-12 108 the fuse rating is set to 15A  
 For the AD115/230-12 168 the fuse rating is set to 20A  
 For the AD115/230-12 240 the fuse rating is set to 25A