

PRODUCT BROCHURE

www.alfatronix.com

VOLTAGE CONVERTERS
POWER SUPPLIES
BATTERY CHARGERS
LOW VOLTAGE DISCONNECTS
USB CHARGERS
WIRELESS CHARGERS

INTRODUCTION

Welcome to our latest Alfatronix Catalogue featuring all products in the portfolio. Here you will be able to find all of the information you need with regard to DC-DC converters, mains and desktop power supplies, PowerTector LVD battery protectors and DC-DC battery chargers, as well as our extensive range of USB chargers.

This year's catalogue includes a new range of wireless chargers. For vehicle installations, we have the new podsole, wireless and USB charging console which is totally versatile and can be installed onto any seatback, a fully integrated module which can be installed into passenger seating, and a surface module which can be installed into table tops and media benches to provide unobtrusive, yet stylish wireless charging for passengers. In addition is a new mains powered, surface integrated wireless charger module for installation into furniture. Its robustness makes it perfect for use in publicly accessible spaces. Alongside our USB chargers this completes our range to offer charging for all mobile devices.

Our DC-DC range is more extensive than ever and now offers converters from 36W to 600W and includes 24V-12V and 12V-24V configurations as well as an improved range of 12V-12V and 24V-24V stabilisers.

In addition to our brick in the lead mains power supplies, our desktop range continues to be very popular and new radio configurations are added regularly, so please check for up to date information. Today, all popular radio transceivers are covered by the Alfatronix Desktop or "wedge," range, as they have become popularly known in the market.

All products are manufactured at our factories in Poole, England and are available for fast despatch, usually within a day or two. We have distributors throughout Europe and beyond for fast delivery within your local area and our expert engineering team is always available to assist with any issues relating to application or installation. Here at Alfatronix, we make every effort to maintain the very highest of quality standards backed by a return to base guarantee.

Whether you are involved in the communications, automotive or marine markets, specifying original fit components at OEM level, or you require power conversion as part of a system integration, we have a wide range of products to suit your needs.

Keith Reilly

Managing Director



USB Chargers



Voltage Converters



Wireless Chargers for land and vehicle applications



CONTENTS

Powerverter 24Vdc to 12Vdc Voltage Converters	04
Powerverter Dual Output 24Vdc to 12Vdc Voltage Converters	06
DD Series & DDi Series Voltage Converters	08
DD Series 12-24V “UP” Voltage Converters	10
ALFACHARGE AL1-H 12/24Vdc Integrated Wireless Charger Module	12
ALFACHARGE AL2 12/24Vdc Combined Wireless and USB Charger	14
ALFACHARGE AL3-V 12/24Vdc Wireless Charger	16
Powerverter Pro 12/24Vdc USB Chargers	18
Powerverter PVPWp 12/24Vdc USB Chargers IP65 protected	20
Powerverter PV65R 12/24Vdc USB Chargers IP65 protected	22
Powerverter Pole Mounted 12/24Vdc USB Charger	24
ICi Series DC-DC Intelligent Battery Chargers	26
PowerTector Low Voltage Disconnect	28
AD Series 115/230V _{AC} Mains Power Supplies	30
AD Series Desktop Power Supplies	32
IP65 Ruggedised Converters	36
Mounting Methods	38
PVPro, PV65R & PVPWp Installation Accessories	41

POWERVERTER & DD SERIES SELECTION TABLE

The following table provides an overview of our DC-DC products. Simply choose the input/output voltage configurations on the left against the continuous power rating (expressed in Watts) across the top.

		WATT RATING						
		36W	72W	108/144W	168/216W	240/288W	408W	600W
Input & Output	24V-12V NON-ISOLATED Converters	PV3s 3Amp	PV6s 6Amp	PV12s 12Amp	PV18s 18Amp	PV24s 24Amp		PV50s 50Amp
	24V-12V ISOLATED Converters	PV3i 3Amp	PV6i 6Amp	PV12i 12Amp	PV18i 18Amp	PV24i 24Amp		
	24V-12V Dual Output Switched NON-ISOLATED	PV3s-A 3Amp	PV6s-A 6Amp	PV12s-A 12Amp				
	12V-24V NON-ISOLATED Converters		DD12-24 072 3Amp		DD12-24 168 7Amp	DD12-24 240 10Amp	DD12-24 400 17Amp	DD12-24 600 25Amp
	12V-12V ISOLATED Converters	DDi12-12 036 3Amp	DDi12-12 072 6Amp	DDi12-12 108 9Amp	DDi12-12 168 14Amp			
	24V-24V ISOLATED Converters	DDi24-24 036 1.5Amp	DDi24-24 072 3Amp	DDi24-24 108 4.5Amp	DDi24-24 168 7Amp	DDi24-24 240 10Amp		
	48V-12V NON-ISOLATED Converters		DD48-12 072 6Amp	DD48-12 108 9Amp		DD48-12 240 20 Amp		
	48V-12V ISOLATED Converters	DDi48-12 036 3Amp	DDi48-12 072 6Amp	DDi48-12 108 9Amp				

Denotes non-isolated common earth products.

Denotes isolated products. These provide isolation between input and output and are often used for marine applications or for petrochemical applications to prevent sparking. They can also help to reduce the effects of EMC interference. They can always be used in place of non-isolated products but not vice versa.

All of these products are also available in IP65 versions. *Please add the suffix **-RU** to the part number when ordering.*

Many products have an intermittent current rating, so occasional short periods above the continuous ratings are permissible. Intermittent ratings are normally 25% above the continuous ratings, though often greater on smaller units. Permissible max usage cycle is 2 minutes, followed by 8 minutes rest.

In addition to the standard products tabled, a number of wide input converters are also available. These are configured to operate from both 12V and 24V systems. **Please contact us for more information.**

Output voltages are generally set to typify normal battery output voltages as follows: 12V nominal = 13.6V, 24V nominal = 27.2V, 48V nominal = 54.4V.

Most products are available with alternative output voltage options at extra cost, for example 12V instead of 13.6V.

Whilst most products are IP53 as standard, many others are also available as IP65 versions. Part numbers will have **-RU** suffix. *Please see data sheet for clarification.*

POWERVERTER

24VDC TO 12VDC VOLTAGE CONVERTERS

24VDC TO 12VDC VOLTAGE CONVERTERS

These products offer a convenient way to operate mass produced 12Vdc equipment such as cell phones, in car entertainment, professional communications, telematics equipment, refrigerators, televisions etc. from the 24Vdc mobile electrical systems found on diesel engined vehicles and vessels.

A COMPREHENSIVE RANGE

There are 14 products in the range from 3A to 50A in isolated or common earth configurations. They have been optimised for high volume 24Vdc to 12Vdc applications such as on heavy goods vehicles, coaches, buses, forestry and agricultural vehicles, as well as commercial and leisure marine vehicles.

TAMPER PROOF

These units are IP53, so there are no ventilation holes to permit stray objects, dust or water droplets to enter the case, there are no external fuses to be tampered with. Fuses will only blow if there is a fault so there is no need to make them accessible.

PRODUCT VARIANTS

Many PowerVerters and DD Series products can be configured with alternative output voltages etc. for specialist applications. *Please call our sales team to discuss your requirements.*



Galvanically isolated units are suitable for marine applications and come complete with the green tamperproof label for petrochemical applications.



PV50s, 50Amp converter

FAST INSTALLATION

All the units consume an off load current of less than 15mA, which is probably less than the self discharge current of the vehicle's battery. In most cases this can be ignored, speeding the installation by removing the need to fit a remote switch.

All products fit onto a "Click 'n' Fit" mounting clip which is fixed in three points allowing it to be mounted on uneven surfaces. It is easy to fit the clip into awkward places and then simply click the unit into position. A fixing kit for din rail installation is also available.

A green LED indicates when there is output from the converter. This gives reassurance to the installation engineer and speeds fault finding.



Many units in the PowerVerter range are also available as IP65 Versions. *Please add the suffix -RU to the part number when ordering.*

CHOOSE YOUR POWERVERTER PRODUCT

Part Number	Cont/Int Current	Nominal Voltage	Power Rating	Dimensions	Weight
PV3s	3A/6A non-isolated	24Vdc input, 12Vdc output	36W	67 x 87 x 50mm	200g
PV6s	6A/10A non-isolated	24Vdc input, 12Vdc output	72W	89 x 87 x 50mm	250g
PV12s	12A/18A non-isolated	24Vdc input, 12Vdc output	144W	127 x 87 x 50mm	405g
PV18s	18A/22A non-isolated	24Vdc input, 12Vdc output	216W	167 x 87 x 50mm	605g
PV24s	24A/30A non-isolated	24Vdc input, 12Vdc output	288W	167 x 87 x 50mm	620g
*PV50s	50A/60A non-isolated	24Vdc input, 12Vdc output	600W	283 x 125 x 74mm	1820g
PV3i	3A/6A isolated	24Vdc input, 12Vdc output	36W	89 x 87 x 50mm	280g
PV6i	6A/10A isolated	24Vdc input, 12Vdc output	72W	127 x 87 x 50mm	505g
PV12i	12A/18A isolated	24Vdc input, 12Vdc output	144W	167 x 87 x 50mm	590g
PV18i	18A/22A isolated	24Vdc input, 12Vdc output	216W	217 x 87 x 50mm	775g
PV24i	24A/30A isolated	24Vdc input, 12Vdc output	288W	217 x 87 x 50mm	785g

Other input and output voltage configurations are available as special orders, please ask our sales team

For Railway Approved Versions, please see PowerVerter Railway Converters.

TECHNICAL DATA

Input voltage range	17-32Vdc
Output voltage	13.6Vdc +15% -20% at extremes of temperature, load, input tolerance, etc.
Intermittent output power	As stated, taken for a maximum of 2 minutes followed by 8 minutes rest
Transient voltage protection	Meets ISO7637-2 International standard for 24Vdc commercial vehicles
Electrostatic voltage protection	Meets ISO10605, ISO14982, >8kV contact, 15kV discharge
Output noise	<50mV pk-pk at continuous load. Meets CISPR25.
Off load current (quiescent current)	<15mA
Power conversion efficiency	Typically: 90% for non-isolated units, 85% for isolated units, *95%
Isolation	>400Vrms between input, output and case, on isolated products only
Operating temperature	-25°C to +30°C to meet this specification table +30°C to +80°C de-rate linearly to 0A
Storage temperature	-25°C to +100°C
Operating humidity	95% max., non-condensing
Casework	Anodised aluminium, glass filled polycarbonate, dust water and impact resistance to IP533
Connections	Four 6.3mm push-on flat blade connectors *(5 way Phoenix connector including enable on/off terminal and mating half)
Output indicator	Green LED adjacent to output terminals
Mounting method	Click 'n' fit mounting clip, fitted separately using three hole fixture, * 4 hole cradle
Safe area protection:	
Over current	Limited by current sensing circuit
Over heat	Limited by temperature sensing circuit
Transients	Protected by filters and rugged component selection
Catastrophic protection	Protected by internal input and output fuses
Approvals	2014/30/EU The general EMC directive Regulation 10 The automotive directive 93/68/EEC The CE marking directive
Designed to	EN50498, ISO 7637-2, ISO 11452-2, ISO 14982, EN60945, EN55032 & FCC15B.
Markings	CE, UKCA and E (automotive) marked

POWERVERTER

DUAL OUTPUT 24VDC TO 12VDC CONVERTERS

PV-A RANGE DUAL OUTPUT CONVERTERS WITH SWITCHED OUTPUT

Some automotive equipment, such as In Car Entertainment (ICE) usually has two links to the vehicle's electrical system, one for memory back-up and one for switching the equipment on and off.

The on/off function is controlled from the ignition switch so that when the ignition key is removed, the ICE equipment is turned off, preventing the battery from becoming discharged whilst leaving the memory back-up circuit still active.

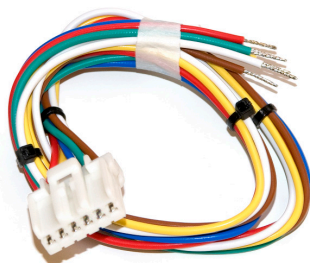
Also, some truck manufacturers run other 12V equipment, such as a cigar lighter socket from the same feed, while others prefer to leave it permanently on.



The PV12s-A is ideal for powering in car entertainment systems where a permanent memory circuit is required for security purposes.



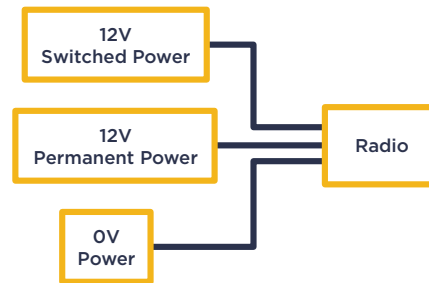
The PV3s-A is ideal for smaller applications where a switched and permanent circuit are both required.



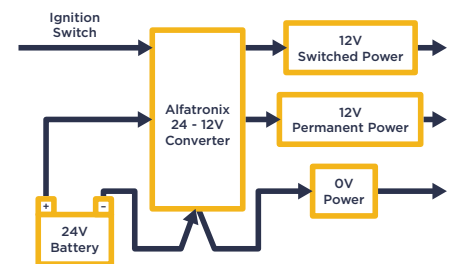
Alfatronix have developed three voltage converters, a 3Amp, 6Amp (continuous) and a 12A (continuous), which overcome these configuration problems. The Alfatronix converters mimic the 12V battery and 12V ignition function by providing two outputs, either of which can provide full power. One output is available whenever the 24V battery is connected. The other output is switched by the 24V ignition switch. Now the ICE equipment can be fitted to the 24V truck as simply as fitting it to a 12V car.

Of course, the Dual Output Range can be used for any application where a dual output is required or where a switched and permanent or memory connection must be retained.

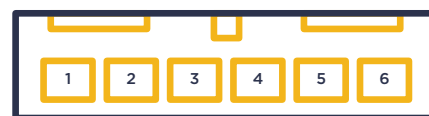
TYPICAL APPLICATIONS



THE ALFATRONIX SOLUTION



CONNECTION SOLUTIONS



PV12s-A Connections		
Pin No.	Colour	Description
1	Red	+12Vdc Switched Output
2	Yellow	+12Vdc Permanent Output
3	White	0Vdc Output
4	Blue	0Vdc Input
5	Green	+24Vdc Input
6	Brown	+24Vdc Ignition Switch Input

CHOOSE YOUR PV-A RANGE PRODUCT

Part Number	Cont/Int Current	Nominal Voltage	Power Rating	Dimensions	Weight
PV3s-A	3A/6A non-isolated	24Vdc input, 12Vdc output	36W	67 x 87 x 50mm	200g
PV6s-A	6A/10A non-isolated	24Vdc input, 12Vdc output	72W	89 x 87 x 50mm	250g
PV12s-A	12A/15A non-isolated	24Vdc input, 12Vdc output	144W	126 x 87 x 50mm	455g

TECHNICAL DATA

Input voltage range	17-32Vdc
Output voltage	13.6Vdc +15% -20% at extremes of temperature, load, input tolerance, etc.
Output power	As stated, from either output or combination of both. Intermittent ratings as stated, taken for a maximum of 2 minutes followed by 8 minutes rest.
Transient voltage protection	Meets ISO7637-2 International standard for 24Vdc commercial vehicles
Electrostatic voltage protection	Meets ISO10605, ISO14982, >8kV contact, 15kV discharge
Output noise	<50mV pk-pk at continuous load. Meets CISPR25 and VDE0879-3
Off load current (quiescent current)	<15mA
Power conversion efficiency	Typically: 90%
Operating temperature	-25°C to +30°C to meet this specification table +30°C to +80°C de-rate linearly to OA
Storage temperature	-25°C to +100°C
Operating humidity	95% max., non-condensing
Casework	Anodised aluminium, glass filled polycarbonate, dust water and impact resistance to IP533
Connections	Five 6.3mm push-on flat blade connectors 6-way 070 connector (PV12s-A)
Output indicator	Green LED adjacent to output terminals, None on PV12s-A
Mounting method	'Click 'n' fit mounting clip, fitted separately using three hole fixing
Safe area protection:	Over current Limited by current sensing circuit Over heat Limited by temperature sensing circuit Transients Protected by filters and rugged component selection Catastrophic protection Protected by internal input and output fuses
Approvals	2014/30/EU The general EMC directive Regulation 10 The automotive directive 93/68/EEC The CE marking directive
Markings	CE, UKCA and E (automotive) marked

DD SERIES & DDi SERIES VOLTAGE CONVERTERS

12V-12V, 24V-24V & 48V-12V CONVERTERS FOR A WIDE RANGE OF APPLICATIONS

The sensitivities of modern electronic equipment to variable input voltages, susceptibility to EMC interference and in some cases, the need to isolate the supply has made voltage stabilisation an important section of our product range. Start/Stop technology on motor vehicles has added to this problem. The DDi Series offers a wide range of 12V-12V and 24V-24V isolated products that ensure a stable and reliable voltage can be delivered to important equipment. Units are available from 36-240W. The range now also offers 48V-12V units, suitable for the telecoms and forklift truck markets. *For 12V-24V converters, see DD Series 'Up' Voltage Converters*



A COMPREHENSIVE PRODUCT RANGE

There are four products in the 12V-12V isolator range from 36W to 168W and a further five products in the 24V-24V range from 36W to 240W. There are also three 48V-12V products from 36W to 108W. All products use modern switchmode designs and are built using the same concepts and technologies as the successful PowerVerter range, which will of course meet your 24V-12V requirements.

FAST INSTALLATION

All the units consume an off load current of less than 15mA, which is probably less than the self discharge current of the vehicle's battery.

All the products fit onto a "Click 'n' fit" mounting clip which is fixed in three points allowing it to be mounted onto uneven surfaces. It is easy to fit the clip into awkward places, then simply click the unit into position.

The green LED indicates when there is output from the converter. This gives reassurance to the installation engineer and speeds fault finding.

PRODUCT CODING

The product code is developed as follows, taking the DDi 12-12 036 as an example:

DD	DC input and output
i	Denotes isolated converter
12-12	Nominal 12V input /output
036	36W capacity unit



12V-12V and 24V-24V units can provide a stable output voltage as well as providing galvanic isolation for a variety of applications



CHOOSE YOUR DD SERIES PRODUCT

Part Number	Cont/Int Current	Nominal Voltage	Power Rating	Dimensions	Weight
DDi12-12 036	3A/4A Isolated	12Vdc input, 12Vdc output	36W	89 x 87 x 50mm	280g
DDi12-12 072	6A/8A Isolated	12Vdc input , 12Vdc output	72W	127 x 87 x 50mm	440g
DDi12-12 108	9A/11A Isolated	12Vdc input, 12Vdc output	108W	167 x 87 x 50mm	540g
DDi12-12 168	14A/18A Isolated	12Vdc input, 12Vdc output	168W	217 x 87 x 50mm	820g
DDi24-24 036	1.5A/2.5A Isolated	24Vdc input, 24Vdc output	36W	89 x 87 x 50mm	280g
DDi24-24 072	3A/4A Isolated	24Vdc input, 24Vdc output	72W	127 x 87 x 50mm	440g
DDi24-24 108	4.5A/6A Isolated	24Vdc input, 24Vdc output	108W	167 x 87 x 50mm	540g
DDi24-24 168	7A/9A Isolated	24Vdc input, 24Vdc output	168W	217 x 87 x 50mm	820g
DDi24-24 240	10A/12A Isolated	24Vdc input, 24Vdc output	240W	217 x 87 x 50mm	820g
DD48-12 072	6A/8A Non-Isolated	48Vdc input, 12Vdc output	72W	89 x 87 x 50mm	270g
DD48-12 108	9A/11A Non-Isolated	48Vdc input, 12Vdc output	108W	127 x 87 x 50mm	360g
DD48-12 240	20A/24A Non-Isolated	48Vdc input, 12Vdc output	240W	217 x 87 x 50mm	760g
DDi48-12 036	3A/6A Isolated	48Vdc input, 12Vdc output	36W	89 x 87 x 50mm	280g
DDi48-12 072	6A/8A Isolated	48Vdc input, 12Vdc output	72W	127 x 87 x 50mm	500g
DDi48-12 108	9A/11A Isolated	48Vdc input, 12Vdc output	108W	167 x 87 x 50mm	560g

Other input and output voltage configurations are available as special orders, please ask our sales team.

DIN Rail Mounting available

TECHNICAL DATA

Input voltage range	12Vdc, 24Vdc +/- 30%, 48Vdc -30% +25%								
Output voltage	13.6Vdc or 27.2Vdc +15% -20% at extremes of temperature, load, input tolerance etc								
Intermittent output power	Continuous rating +25% taken for a maximum of 2 minutes followed by 8 minutes rest								
Transient voltage protection	Meets ISO7637-2 International standard for 24Vdc commercial vehicles								
Electrostatic voltage protection	Meets ISO10605, ISO14982, >8kV contact, 15kV discharge								
Output noise	<50mV pk-pk (100mV on 24V units) at continuous load. Meets CISPR25.								
Off load current (quiescent current)	<15mA (<25mA, 168W + 240W versions)								
Power conversion efficiency	Typically: 90% for non-isolated units, 85% for isolated units								
Isolation	>400Vrms between input , output and case, on isolated products only								
Operating temperature	-25°C to +30°C to meet this specification table +30°C to +80°C de rate linearly to OA								
Storage temperature	-25°C to +100°C								
Operating humidity	95% max., non-condensing								
Casework	Anodised aluminium, glass filled polycarbonate, dust water and impact resistance to IP533								
Connections	Four 6.3mm push-on flat blade connectors								
Output indicator	Green LED adjacent to output terminals								
Mounting method	Click 'n' fit mounting clip, fitted separately using three hole fixture								
Safe area protection:	<table border="0"> <tr> <td>Over current</td> <td>Limited by current sensing circuit</td> </tr> <tr> <td>Over heat</td> <td>Limited by temperature sensing circuit</td> </tr> <tr> <td>Transients</td> <td>Protected by filters and rugged component selection</td> </tr> <tr> <td>Catastrophic failure</td> <td>Protected by internal input and output fuses</td> </tr> </table>	Over current	Limited by current sensing circuit	Over heat	Limited by temperature sensing circuit	Transients	Protected by filters and rugged component selection	Catastrophic failure	Protected by internal input and output fuses
Over current	Limited by current sensing circuit								
Over heat	Limited by temperature sensing circuit								
Transients	Protected by filters and rugged component selection								
Catastrophic failure	Protected by internal input and output fuses								
Approvals	2014/30/EU The general EMC directive Regulation 10 The automotive directive 93/68/EEC The CE marking directive								
Designed to	EN50498, ISO 7637-2.								
Markings	CE, UKCA and E (automotive) marked								

DD SERIES 12-24V “UP” VOLTAGE CONVERTERS

12V-24V “UP” CONVERTERS FOR A WIDE RANGE OF APPLICATIONS

If you need to fit 24V equipment onto a 12V electrical system, then an “up” converter from the DD Series offers a fast and easy way to configure your system. Now with a range from 72W (3A output) to 600W (25A output), these products offer state of the art designs for fast installation and long term reliable operation. Typical applications include the installation of 24V equipment on 12V vehicles and installation of specialist equipment requiring higher operating voltages.



400W AND 600W 12-24V UNITS

The latest addition to the range includes two high current (17 and 25 Amps output) units. These use state of the art designs with efficiency up to 93% and practically all components are mounted using computer controlled surface mount technology (SMT). The result is a robust product with low component mass. The mechanical aspects include a brand new casing profile designed for maximum heat dissipation as well as a new design of our highly successful mounting cradle that allows the unit to be fully wired before being “clicked” into place. This provides for a faster installation time with mechanics capable of withstanding long term vibration with no risk of screws falling out.

CASING FORMATS

12V-24V converters are available in two casing formats. Units from 72-240W use the standard Alfatronix aluminium casings with polycarbonate end-caps and three point mounting cradle. The larger 400W and 600W units occupy a larger heat-sink casing and utilise the heavy duty Phoenix connector. Installation is by way of the larger four point ‘I’ shaped mounting cradle.

ALSO AVAILABLE IN IP65 FORMAT

The DD Series 12-24V products are available in either standard IP53 format (like most Alfatronix converters) or the ruggedised IP65 versions. Just add -RU to the part number. These are suitable where the installation is in a particularly hostile environment and subject to increased water and dirt exposure.



PRODUCT CODING

The product code is derived as follows, taking the DD 12-24 072-RU as an example:

DD	DC input and output
12-24	Denotes 12V input , 24V output
072	Denotes wattage
-RU	Denotes IP65 version

CHOOSE YOUR DD SERIES PRODUCT

Part Number	Cont/Int Current	Nominal Voltage	Power Rating	Dimensions	Weight
DD12-24 072	3A/3.75A Non-Isolated	12Vdc input, 24Vdc output	72W	89 x 87 x 50mm	300g
DD12-24 168	7A/9A Non-Isolated	12Vdc input, 24Vdc output	168W	167 x 87 x 50mm	640g
DD12-24 240	10A/13A Non-Isolated	12Vdc input, 24Vdc output	240W	217 x 87 x 50mm	800g
DD12-24 400	17A/22A Non-Isolated	12Vdc input, 24Vdc output	408W	233 x 125 x 74mm	1510g
DD12-24 600	25A/30A Non-Isolated	12Vdc input, 24Vdc output	600W	283 x 125 x 74mm	1800g

Other output voltage configurations are available as special orders, please ask our sales team

TECHNICAL DATA

Input voltage range	12Vdc +/- 30%
Output voltage	27.2Vdc +/-5% at extremes of temperature, load, input tolerance etc
Continuous current rating	3A - 25A depending on model
Intermittent rating	Continuous rating +20%, taken for a maximum of 2 minutes followed by 8 minutes rest
Transient voltage protection	Meets ISO7637-2 International standard for 12V and 24Vdc commercial vehicles
Electrostatic voltage protection	Meets ISO10605
Output noise	<100mV pk-pk at continuous load
Off load current (quiescent current)	<20mA (400W and 600W enable off), less than 100mA (72 - 240W units)
Power conversion efficiency	Typically 93%
Operating temperature	-25°C to +30°C to meet this specification table +30°C to +80°C de rate linearly to 0A
Storage temperature	-25°C to +70°C
Operating humidity	95% max., non-condensing
Casework	Anodised aluminium, glass-filled polycarbonate, dust, water and impact resistance to IP53. Ruggedised versions also available to IP65.
Connections	Four 6.3mm push on flat blade connectors (72W - 240W) Five terminal connector with screw tightening with mating half supplied (400W and 600W units)
Output indicator	Green LED adjacent to output terminals
Mounting method	"Click 'n' fit" mounting clip, fitted separately using 3 hole fixing (4 hole on 400W and 600W)
Safe area protection:	Over current Limited by current sensing circuit
	Over heat Limited by temperature sensing circuit
	Transients Protected by filters and rugged component selection
Input /Output over voltage protection	Controlled by internal circuitry
Catastrophic failure	Protected by internal input and output fuses
Approvals	2014/30/EU The general EMC directive Regulation 10 The automotive directive 93/68/EEC The CE marking directive
Designed to	EN50498, ISO 7637-2
Markings	CE, UKCA and E (automotive) marked

ALFACHARGE WIRELESS CHARGER AL1

12/24VDC WIRELESS CHARGER MODULE

AL1 SERIES WIRELESS CHARGER MODULE FOR INTEGRATION INTO VEHICLE EQUIPMENT

Wireless charging is increasingly becoming the preferred method of maintaining battery power in mobile devices, with most of the latest designs from the major manufacturers including wireless charging as standard.

The AL1 series wireless charger module is designed for integration into equipment on vehicles to allow this facility to extend to private and public transport applications. This module is typically housed in apparatus that enables mobile phones to be retained in position on the vehicle during charging. Typical applications include integration into seat back consoles and table tops.

The charging element is placed within 0.7mm of the casing exterior to allow for maximum performance in a wide range of situations. When designing into housing equipment, we recommend keeping the active face of the unit within 5.0mm of the passenger accessible area.



Designed for integration into passenger vehicles.

Accepts both 12Vdc and 24Vdc.

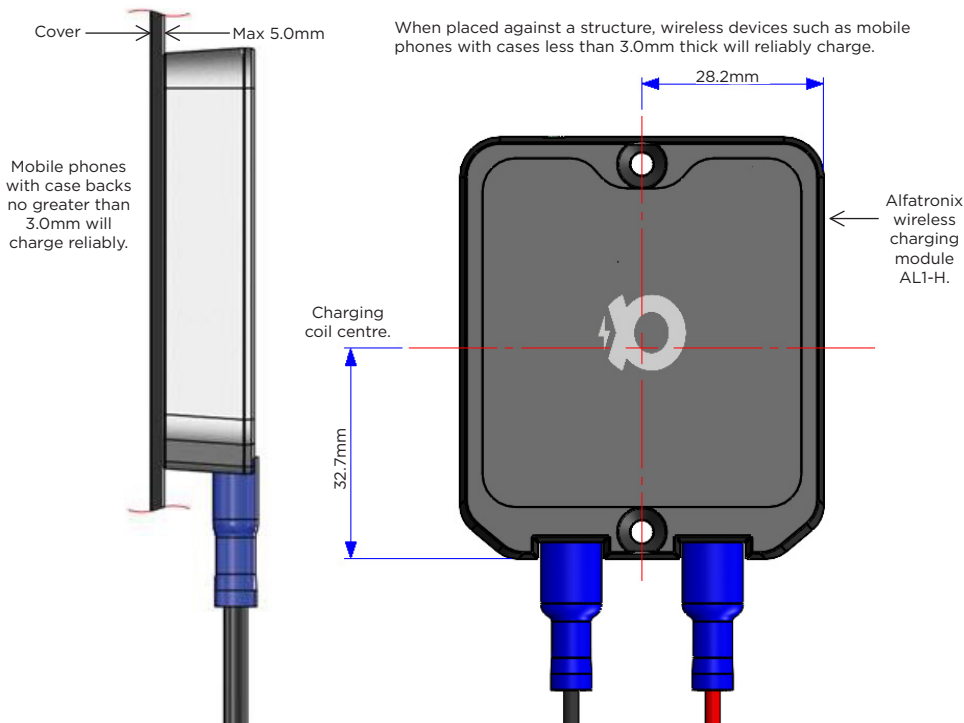
- Extra vibration protection to EN61373.
- Approved to EN50498, ISO7637-2 and EN50155. E marked (Reg10) and CE marked.
- Phone communicates every second to establish correct charge.
- Foreign object detection & activation.
- Convenient wide input of 9-32Vdc for wireless charger.
- LED to confirm correct operation.

THE RANGE

The Alfacharge range has been designed to meet the rigorous standards required for on board commercial vehicle applications including EN50498, EN61373, ISO7637-2 and is both CE and E marked (Reg10). The casings are made from V0 rated (self extinguishing) high impact polycarbonate and the PCB is populated by computer controlled SMT for maximum accuracy and durability.

This is a module unit which must be installed within a further structure. Cover or structure over the coil area should not exceed 5.0mm in thickness.

When placed against a structure, wireless devices such as mobile phones with cases less than 3.0mm thick will reliably charge.



Most wireless mobile phones will connect within 5.0mm from optimal central point.



It is recommended that these units are fused individually with a 1Amp fuse (24V systems) or a 2Amp fuse (12V Systems). Suitable in-line fuses are available.

WARRANTY

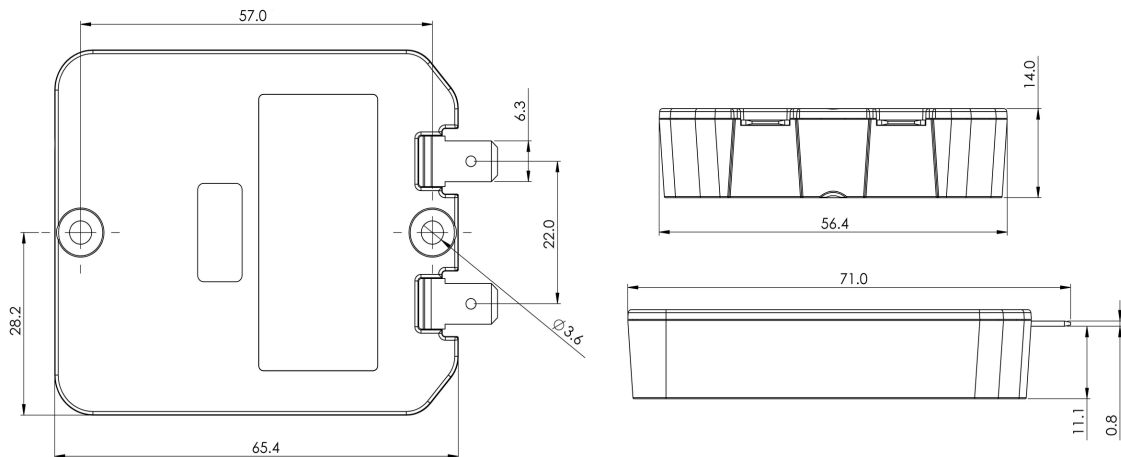
The AL1 Series of wireless chargers are manufactured using rugged components to provide years of services in demanding commercial environments and are covered by a three year return to base warranty.

ALFACHARGE PART SELECTION

Part Number	Description	Dimensions	Weight
AL1-H	Integrated wireless phone charger with horizontal connectors	65.4 x 56.4 x 14mm	70g

TECHNICAL DATA

Input voltage range	9-32Vdc
Output power	Nominal 5W
Application	Charging of wireless enabled devices
Transient voltage protection	Meets ISO7637-2 International standard for 12/24V vehicles
Tx-Range	Nominal 8mm
Off load current (quiescent current)	6mA
Power conversion efficiency	50% - 60%
Operating temperature	-25°C to +40°C
Storage temperature	-25°C to +100°C
Operating humidity	95% max., non-condensing
Casework	Black polycarbonate body
Connections	Input: 6.3mm push-in flat blade connectors Output: Wireless transmission <200kHz
Output indicator	Green/blue LED output indication
Mounting method	Box with mounting screw holes - screws provided. Can also be installed by clips or other bespoke method
Safe area protection:	<ul style="list-style-type: none"> Over Current Limited by current sensing circuit Over heat Limited by temperature sensing circuit Overvoltage and Undervoltage Limited by sensing circuit Reverse Polarity Limited by sensing circuit Transients Protected by filters and rugged component selection Catastrophic protection Internal fuse
Approvals	2014/30/EU The general EMC directive Regulation 10 The automotive directive 93/68/EEC The CE marking directive
Designed to	EN50498, EN61373, EN50155, EN45545, EN50121-3-2, ISO 7637-2 & R118
Markings	CE, UKCA and E marked
IP Rating:	IP65 when installed correctly



All dimensions in mm

Our policy is one of continuous improvement and we reserve the right to change specifications without prior notice.



ALFACHARGE WIRELESS CHARGER AL2

12/24VDC COMBINED WIRELESS AND USB CHARGER

AL2 SERIES WIRELESS CHARGER PODSOLE FOR INTEGRATION INTO VEHICLE EQUIPMENT

Wireless charging is increasingly becoming the preferred method of maintaining battery power in mobile devices, with most of the latest designs from the major manufacturers including wireless charging as standard.

The AL2 series Podsole has been elegantly designed to allow passengers to charge both wireless and USB charging devices on the move. The two retaining clips and non-slip buttons secure the device into place permitting the wireless charging of all wireless enabled smart devices, whilst the USB connector can charge another device like a phone or tablet simultaneously.

The Podsole is extremely versatile and can be connected to both 12Vdc and 24Vdc electrical systems without adjustment. It has also been designed for both OEM and retrofit applications and can be mounted to any seat back using 4 screws which are hidden behind tamperproof covers. Due to the durable polyurethane compound encompassing the electronic components, comprehensive protection is provided against dust and liquid ingress.

The advanced electronic design will detect the charge status of the device and alter the charging process accordingly. This ensures that whatever device is connected, be it Apple, Android, phone or tablet, it will always be charged as fully as time and capacity allow. Two LEDs indicate the chargers are operational.



Designed for integration into passenger vehicles.

Accepts both 12Vdc and 24Vdc.

- Approved to EN50498, EN50155 & ISO7637-2. E marked (Reg10) and CE marked.
- Phone power communicates every second to establish correct charge.
- Foreign object detection & activation.
- Convenient wide input of 9-32Vdc for wireless and USB charging in one extrusion.
- LED to confirm correct operation.



THE RANGE

The Alfacharge range has been designed to meet the rigorous standards required for on board commercial vehicle applications including EN50498, EN50155 & ISO7637-2, and is both CE and E marked (Reg10). The casings are made from V0-rated (self-extinguishing) high impact polycarbonate and the PCB is populated by computer-controlled SMT for maximum accuracy and durability.

WARRANTY

The AL2 Podsole Series of combined wireless chargers and USB Chargers are manufactured using rugged components to provide years of service in demanding commercial environments and are covered by a three year return to base warranty.

It is recommended that these units are fused individually with a 2Amp fuse (24V systems) or a 3Amp fuse (12V systems).

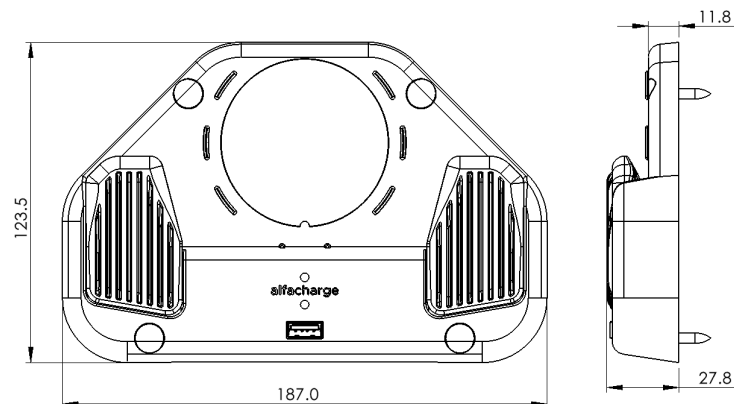
ALFACHARGE PART SELECTION

Part Number	Description	Dimensions	Weight
AL2-WS	Combined Wireless and USB Charger	187 x 122 x 26mm	225g

Other configurations are available, please speak to our sales team

TECHNICAL DATA

Input voltage range	9-32Vdc
Output power	Wireless Charger: Nominal 5W; USB Charger: 10W for BC1.2 and 12W for Q.C 3.0
Application	Wireless Charger: Charges wireless enabled devices; USB Charger: Charges all USB devices inc. Apple and Android
Transient voltage protection	Meets ISO7637-2 International standard for 12/24V vehicles and EN61000.4.4 and 4.5 for rail
Tx-Range	Nominal 5mm
Off load current (quiescent current)	Combined 10mA
Power conversion efficiency	Wireless Charger: 50% - 60%; USB Charger: 90%
Operating temperature	-25°C to +40°C
Storage temperature	-25°C to +100°C
Operating humidity	95% max., non-condensing
Casework	Grey polycarbonate body
Connections	Input: 6.3mm push-in flat blade connectors Output: USB type 'A' single socket - tested to 10,000 mating cycles
Output indicator	Green/blue LED output indication
Mounting method	Box with mounting screw holes - screws provided. Can also be installed by clips or other bespoke method
Safe area protection:	Over Current Limited by current sensing circuit Over heat Limited by temperature sensing circuit Overvoltage and Undervoltage Limited by sensing circuit Reverse Polarity Limited by sensing circuit Transients Protected by filters and rugged component selection Catastrophic protection Internal fuse
Approvals	2014/30/EU The general EMC directive Regulation 10 The automotive directive 93/68/EEC The CE marking directive
Designed to	EN50498, EN61373, EN50155, EN45545, EN50121-3-2, ISO 7637-2 & R118
Markings	CE, UKCA and E marked



ALFACHARGE WIRELESS CHARGER AL3-V

12/24VDC WIRELESS CHARGER MODULE

PASSENGER ACCESSIBLE WIRELESS CHARGERS FOR VEHICLE INSTALLATIONS

Wireless charging is increasingly becoming the preferred method of maintaining battery power in mobile devices, with most of the latest designs from the major manufacturers including wireless charging as standard.

The AL3-V wireless charger is designed for installation into table tops on vehicles such as buses and coaches to allow passengers the ability to charge their devices on the move. The unit is installed through an 80.0mm hole in the table and secured underneath, providing an unobtrusive and functional enhancement of the passenger experience. These units make a complementary addition to the AL1-H integrated charger modules, and can be installed at the vehicle build stage or as part of a retrofit activity, as required.

The wireless receiver of the charging unit will automatically detect the presence of suitably enabled mobile devices and will typically charge through a case up to 3.0mm thick.



Designed for integration into passenger vehicles.

Accepts both 12Vdc and 24Vdc.

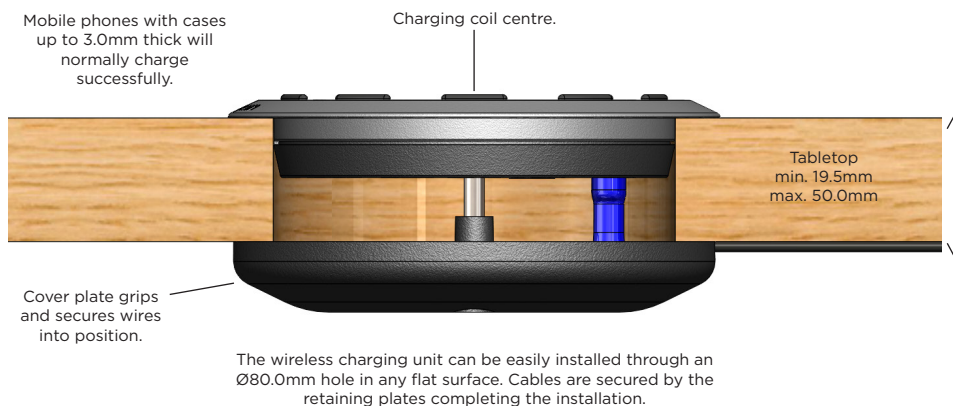
- Approved to EN50498 & ISO7637-2. E marked (Reg10) and CE marked.
- Phone communicates every second to establish correct charge.
- Foreign object detection & activation.
- Convenient wide input of 9-32Vdc in one standard casing.
- LED to confirm correct operation.

THE RANGE

The Alfaccharge range has been designed to meet the rigorous standards required for on board commercial vehicle applications including EN50498 and ISO7637-2 and is both CE and E marked (Reg10). The casings are made from V0-rated (self-extinguishing) high impact polycarbonate and the PCB is populated by computer-controlled SMT for maximum accuracy and durability.



Alfatronix wireless charging module AL3-V



It is recommended that these units are fused individually with a 1Amp fuse (24V systems) or a 2Amp fuse (12V Systems). Suitable in-line fuses are available.

WARRANTY

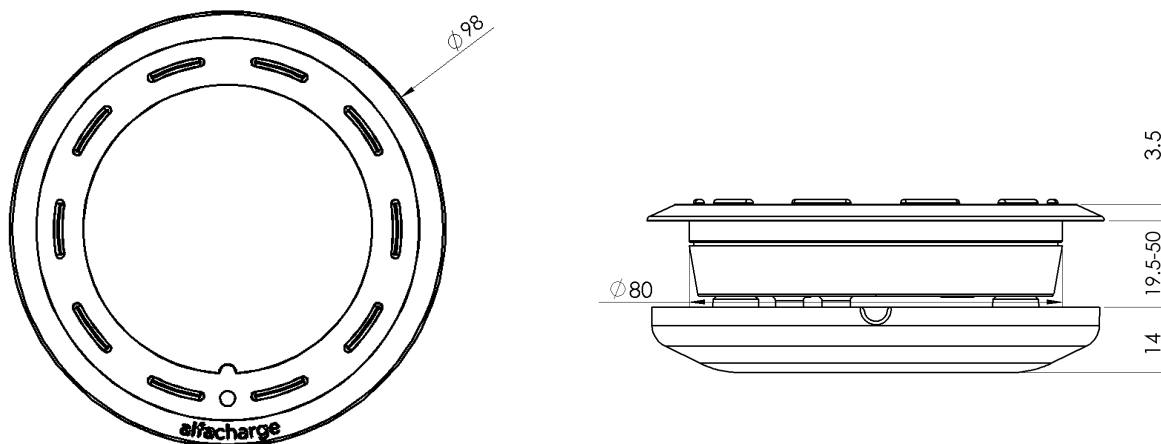
The AL3 Series of wireless chargers are manufactured using rugged components to provide years of service in demanding commercial environments and are covered by a three year return to base warranty.

ALFACHARGE PART SELECTION

Part Number	Description	Dimensions (mm)	Weight
AL3-V	Integrated wireless phone charger	Ø98.0 x 15.3; Hole Ø80.0	160g

TECHNICAL DATA

Input voltage range	9-32Vdc
Output power	Nominal 5W
Application	Charging of wireless enabled devices
Transient voltage protection	Meets ISO7637-2 International standard for 12/24V vehicles
Tx-Range	Nominal 5mm
Off load current (quiescent current)	6mA
Power conversion efficiency	50% - 60%
Operating temperature	-25°C to +40°C
Storage temperature	-25°C to +100°C
Operating humidity	95% max., non-condensing
Casework	Grey polycarbonate body
Connections	Input: 6.3mm push-in flat blade connectors Output: Wireless transmission <200kHz
Output indicator	LED: Blue - standby, green - charging
Mounting method	Enclosure with underside securing plate into Ø80.0mm hole
Safe area protection:	Over Current Limited by current sensing circuit
	Over heat Limited by temperature sensing circuit
	Overvoltage and Undervoltage Limited by sensing circuit
	Reverse Polarity Limited by sensing circuit
	Transients Protected by filters and rugged component selection
	Catastrophic protection Internal fuse
Approvals	2014/30/EU The general EMC directive Regulation 10 The automotive directive 93/68/EEC The CE marking directive
Designed to	EN50498, EN45545, EN50121-3-2, ISO 7637-2 & R118
Markings	CE, UKCA and E marked
IP Rating:	IP65 when installed correctly



POWERVERTER PVPro A & C Range

12/24VDC USB CHARGERS

A & C PORT USB CHARGING FOR 12V AND 24VDC APPLICATIONS

The PowerVerter PVPro Range of USB chargers has been completely updated into the A & C Range, amalgamating all the great design concepts of USB charging on vehicles into one simple range. Models are now available offering both USB A and C connections, including Single and Double A as well as Single and Double C and a combined Dual A & C output version.

As well as standard (rear fit), all models are available in front fit versions. This is a popular option for when rear space access is limited, and also allows for quick removal and replacement if required.

Ingress protection is to IP30 as standard. However, the PVPWp versions retain the slimline design and offer enhanced protection to IP65 (not connectors). The ruggedised PV65R versions which are also IP65 (not connectors), offer additional transient protection and are particularly suitable in more demanding environments such as for installation into vehicle walls.

Output power performance has also been enhanced. As well as charging both Apple and Android mobile phones, the USB-C models offer higher current outputs for limited charge assistance on tablets and laptops.

Standard versions require only 20mm (typical) rear space and can easily be installed in bus and coach seat backs, walls and dashboards. A series of 3 pod designs enable retrofit options for underseat, table and wall mounting.

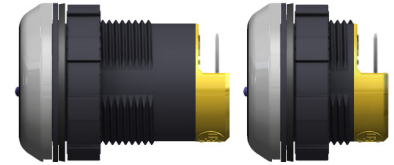
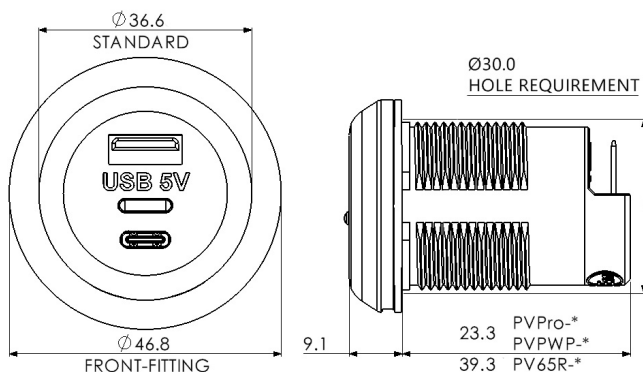


All products are available in front fit options for when rear access is limited

THE RANGE

All units are installed through a 30mm hole. Standard format units are retained by a rear nut while the front fit versions include a bezel with tamperproof cover ring. Input power is by way of two 6.3mm push-in flat fit automotive terminals.

Dimensionally the USB A and C Chargers are the same and are interchangeable with the ever-popular PVPro Range. Electronically the designs include reverse polarity protection and automatic short circuit protection, so in the event of tampering or compromise the unit will shut down, then restart again, once the fault has been removed.



IP65 versions available
PV65R - ruggedised and PVPWp,
both IP65 rated; indicated by
yellow rear cap

The new A & C range has the following key benefits:

- Both type-A and type-C outputs
- Apple and Android compatible
- Dashboard, slimline seat back or underseat pod configurations
- LED output indicator
- IP30 or IP65 ingress protection -see Product Overview
- CE, E and UKCA marked



PVPro-A
Single output
A connector



PVPro-AA
Double output
A connector



PVPro-C
Single output
C connector



PVPro-AC
Dual output A
& C connector



PV-USB2-A: Charger only, no interface. For under-dash use. Also available with USB C connector.



WARRANTY

The PVPro A and C range of chargers are manufactured using rugged components to provide years of service in demanding commercial environments and are covered by a three year return to base guarantee.

CHOOSE YOUR USB PRODUCT

PART NUMBER	DESCRIPTION	DIMENSIONS (mm)	WEIGHT
Standard IP30 USB Chargers:			
PVPro-A	USB 'A' Single output 12/24-5V, 2.1A	Ø37 x 34; Hole Ø30; Rearspace typ.22	20g
PVPro-AA	USB 'A' & 'A' Dual output 12/24-5V, 3.0A	Ø37 x 34; Hole Ø30; Rearspace typ.22	24g
PVPro-AC	USB 'A' & 'C' Dual output 12/24-5V, 3.6A	Ø37 x 34; Hole Ø30; Rearspace typ.22	25g
PVPro-C	USB 'C' Single output 12/24-5V, 3.0A	Ø37 x 34; Hole Ø30; Rearspace typ.22	20g
PVPro-CC*	USB 'C' & 'C' Dual output 12/24-5V, 3.0A	Ø37 x 34; Hole Ø30; Rearspace typ.22	21g
Ruggedised IP65 USB Chargers:			
PV65R-A	USB 'A' Single output rugged, IP65 12/24-5V, 2.1A	Ø37 x 49; Hole Ø30; Rearspace typ.36	36g
PV65R-AA	USB 'A' & 'A' Dual output rugged, IP65 12/24-5V, 3.0A	Ø37 x 49; Hole Ø30; Rearspace typ.36	39g
PV65R-AC	USB 'A' & 'C' Dual output rugged, IP65 12/24-5V, 3.6A	Ø37 x 49; Hole Ø30; Rearspace typ.36	36g
PV65R-C	USB 'C' Single output rugged, IP65 12/24-5V, 3.0A	Ø37 x 49; Hole Ø30; Rearspace typ.36	28g
Slimline IP65 USB Chargers:			
PVPWp-A	USB 'A' Single, slimline, IP65 12/24-5V, 2.1A	Ø37 x 34; Hole Ø30; Rearspace typ.22	26g
PVPWp-AA	USB 'A' & 'A' Dual, slimline, IP65 12/24-5V, 3.0A	Ø37 x 34; Hole Ø30; Rearspace typ.22	30g
PVPWp-AC	USB 'A' & 'C' Dual, slimline, IP65 12/24-5V, 3.6A	Ø37 x 34; Hole Ø30; Rearspace typ.22	29g
PVPWp-C	USB 'C' Single, slimline, IP65 12/24-5V, 3.0A	Ø37 x 34; Hole Ø30; Rearspace typ.22	24g
PVPWp-CC*	USB 'C' & 'C' Dual output 12/24-5V, 3.0A	Ø37 x 34; Hole Ø30; Rearspace typ.22	25g
For front fit versions, please add the suffix Ff, e.g. PVPro-AFf, PV65R-CFf, PVPWp-ACFf. The detachable ring in both standard and front fit format can be customised for branding and advertising purposes. Please ask our sales team. * Coming soon.			
Accessories:			
USB-POD	Underseat mounting pod for USB chargers	W 60, H 52, D 80	69g
USB-TPOD	Table mounting pod for 2x USB chargers	W 103, H 44.5, D 88	73g
USB-WPOD	Wall mounting pod for USB chargers	W 60.5, H 76, D 26	22g
PV-USB-H1	Standard 1.2 wiring with in line fuse	1x red 1.2m, 1x black 1.2m, 1x 2A fuse	50g
PV-USB2-A	USB 'A', Single output charger only 12/24-5V, USB 2.1A	113 x 24 x 15	17g
PV-USB2-C	USB 'C', Single output charger only 12/24-5V, USB 3.0A	113 x 24 x 15	16g

TECHNICAL DATA

Input voltage range	9-32Vdc
Output voltage	5.2Vdc +/- 0.2V
Max Output Power	Single A: 2.1A, Dual A: 3.0A, Single C: 3.0A, Dual C: 3.0A, Dual A & C: 3.6A
Application	Charging of USB devices including Apple and Android
Transient voltage protection	Meets ISO7637-2 International standard for 12/24V vehicles
Output noise	<50mV pk-pk
Off load current (quiescent current)	<2.5mA
Isolation	Non-isolated >400Vrms between casing and terminals
Power conversion efficiency	90%
Operating temperature	-25°C to +55°C to meet this specification table
Storage temperature	-40°C to +100°C
Operating humidity	95% max., non-condensing
Casework	Dark grey polycarbonate body, contrasting trim ring
Connections	Input: 6.3mm push-in flat blade connectors Output: USB type-A single/double socket, USB type-C socket
Output indicator	Blue LED output indication
Mounting method	30mm diameter hole, with rear nut or front fit bezel
Safe area protection:	Over Current Limited by current sensing circuit Over heat Limited by temperature sensing circuit Overvoltage and Undervoltage Limited by sensing circuit Reverse Polarity Protected by sensing circuit Transients Protected by filters and rugged component selection Catastrophic protection Internal fuse (external fusing recommended)
Approvals	2014/30/EU The general EMC directive Regulation 10 The automotive directive 93/68/EEC The CE marking directive IP65 approved (PV65R and PVPWp) Regulation R118 (Automotive Fire)
Designed to	EN50498, ISO 7637-2, R118 & R080
Markings	CE, UKCA and E marked
IP Rating	IP30/IP65 according to product selection (For IP65 USB connector excluded). Cleaning: wipe with damp cloth, do not spray.

POWERVERTER PVPWp

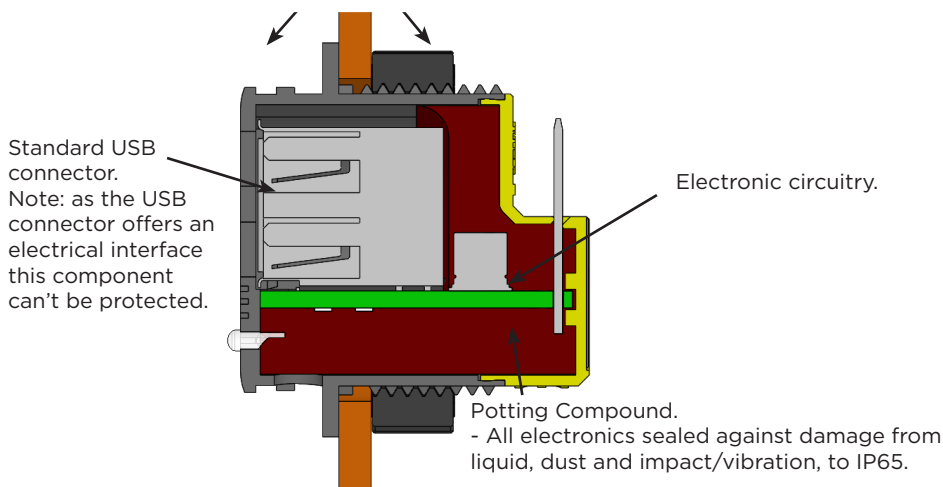
12/24VDC USB CHARGERS IP65 PROTECTED

SLIMLINE USB POWER WITH ADDED LIQUID & DUST INGRESS PROTECTION TO IP65

The PVPWp range of USB chargers offers all the performance benefits of the PVPro range with additional protection provided to the electronic circuit of the unit. A durable polyurethane compound encompasses the electronic components offering comprehensive protection against dust and liquid ingress to IP65.

This product offers a good solution where tampering might be an issue or in dirty or more challenging environments. Although the nature of the USB connector itself can always be wilfully broken or damaged and will still corrode if repeatedly exposed to liquid ingress, all electronics in these units are protected to IP65.

No airflow is possible between fore and rear of the unit.



- Designed for demanding environments.
- Electronics protected to IP65.
- Approved to EN50498 and ISO7637-2. E marked (Reg10) and CE marked.



PowerVerter PVPWp-S and PVPWp-D single and double outlets.



The Front facing version can be screwed in place from the front, then covered with the attractive ring to avoid tampering. Available in both single (PVPWp-SFF) and double outputs (PVPWp-DFf).

THE RANGE

The range mirrors the very successful PVPro products, offering both single and double outputs and rear fit as well as front fitting options which allow the unit to be replaced quickly and easily should this be required. Automatic short circuit protection is also included, so in the event of tampering or compromise, the unit will automatically shut down, then re-start once the fault has been removed. All units can be installed on both 12Vdc or 24Vdc vehicles without adjustment.

Units can be installed directly into bulkheads, vehicle walls, into seat fittings and underneath seats using the mounting pod P/N USB-POD. They can also be fitted onto table tops using the horizontal surface mounting pod P/N USB-TPOD.

APPROVALS AND MANUFACTURE

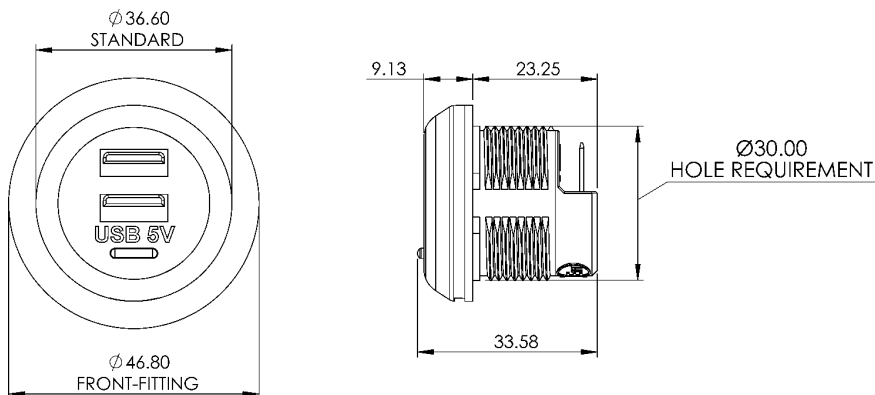
The range has been designed to meet the rigorous standards required for on board commercial vehicle applications including EN50498, ISO7637-2, and is both CE and E marked (Reg10). The casings are made from VO rated (self-extinguishing) high impact polycarbonate and the electronic assembly is predominantly by computer controlled SMT for maximum durability.



It is recommended that these units are fused individually with a 1Amp fuse (24V systems) or a 2Amp fuse (12V Systems). Suitable in-line fuses are available;

WARRANTY

The PVPWp range of chargers are manufactured using rugged components to provide years of service in demanding commercial environments and are covered by a three year return to base guarantee.



CHOOSE YOUR PVPW_p PRODUCT

Part Number	Description	Dimensions (mm)	Weight
PVPWp-S	Single output 12/24-5V USB Charger 2.1A	Ø37 x 33; Hole Ø30	21g
PVPWp-D	Double output 12/24-5V USB Charger 3.0A (1.5A per socket)	Ø37 x 33; Hole Ø30	25g
PVPWp-SFf	Single output 12/24-5V USB 2.1A Front fitting	Ø47 x 33; Hole Ø30	24g
PVPWp-DFf	Double output 12/24-5V USB Charger 3.0A Front fitting	Ø47 x 33; Hole Ø30	28g
USB-POD	Under-seat mounting pod for USB Chargers	Width 60; Height 52; Depth 80	69g
USB-TPOD	Table mounting pod for USB Chargers	Width 103; Height 44.5; Depth 88	73g
USB-WPOD	Wall mounting pod for USB Chargers	Width 60.5; Height 75.9; Depth 25.6	22g
PV-USB-H1	Standard 1.2m wiring with in-line 2A fuse	1 x Red 1.2m, 1 x Black 1.2m	50g

TECHNICAL DATA

Input voltage range	9-32Vdc
Output voltage	5Vdc +/- 0.2V
Output Power	2.1A (single), 3.0A (double) - max 1.5A per socket
Application	Charges all USB devices including Apple and Android
Transient voltage protection	Meets ISO7637-2 International standard for 12/24V vehicles
Output noise	<50mV pk-pk
Off load current (quiescent current)	<1.7mA
Power conversion efficiency	90%
Operating temperature	-25°C to +55°C to meet this specification table
Storage temperature	-25°C to +100°C
Operating humidity	95% max., non-condensing
Casework	Dark grey polycarbonate body, with yellow end cap
Connections	Input: 6.3mm push-in flat blade connectors Output: USB type 'A' single/double socket - tested to 10,000 mating cycles
Output indicator	Blue LED output indication
Mounting method	30mm diameter hole with or without bezel
Safe area protection:	Over Current Limited by current sensing circuit Over heat Limited by temperature sensing circuit Overvoltage and Undervoltage Limited by sensing circuit Reverse Polarity Limited by sensing circuit Transients Protected by filters and rugged component selection Catastrophic protection Internal fuse
Approvals	2014/30/EU The general EMC directive Regulation 10 The automotive directive 93/68/EEC The CE marking directive
Designed to	EN50498, ISO 7637-2 & R118
Markings	CE, UKCA and E marked
IP Rating:	IP65 (Not USB connector). Cleaning: wipe with a damp cloth (do not spray).

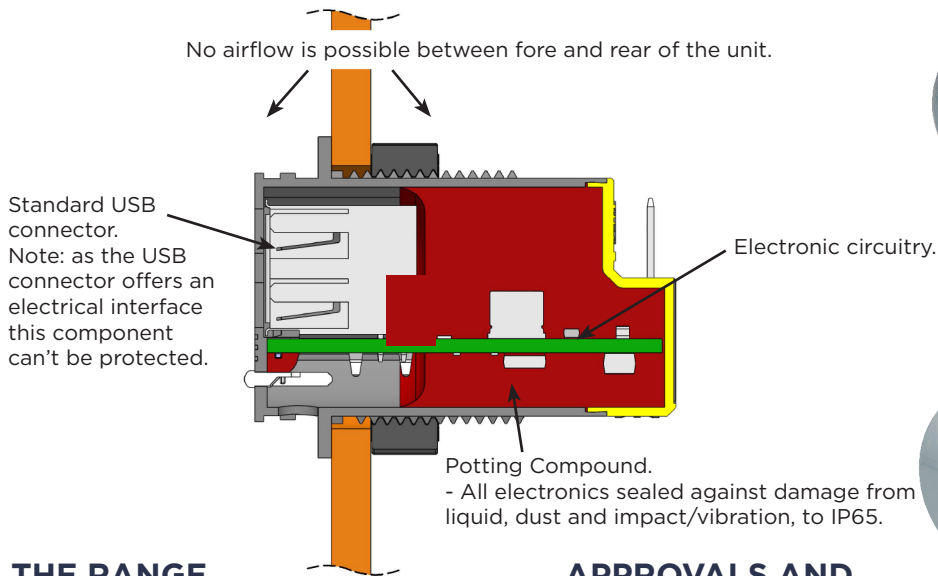
POWERVERTER PV65R

12/24VDC USB CHARGERS IP65 PROTECTED

USB POWER WITH ADDED LIQUID & DUST INGRESS AND VIBRATION PROTECTION TO IP65

The PV65R range of USB chargers offers all the performance benefits of the PVPro range with additional protection provided to the electronic circuit of the unit. A durable polyurethane compound encompasses the electronic components offering comprehensive protection against dust and liquid ingress to IP65.

This product offers a good solution where tampering might be an issue or in dirty or more challenging environments. Although the nature of the USB connector itself can always be wilfully broken or damaged and will still corrode if repeatedly exposed to liquid ingress, all electronics in these units is protected to IP65.



- Designed for demanding environments including bus, coach, off road and railway applications.
- Electronics protected to IP65.
- Extra vibration protection to EN61373.
- Approved to EN50498, ISO7637-2 and EN50155. E marked (Reg10) and CE marked.



PowerVerter PV65R-S and PV65R-D single and double outlets.



The Front facing version can be screwed in place from the front, then covered with the attractive ring to avoid tampering. Available in both single (PV65R-SFF) and double outputs (PV65R-DF).

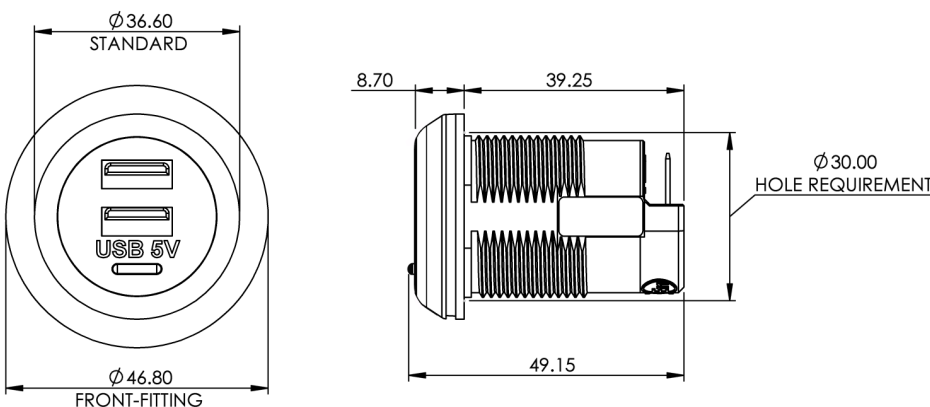
THE RANGE

The range mirrors the very successful PVPro products, offering both single and double outputs and rear fit as well as front fitting options which allow the unit to be replaced quickly and easily should this be required. Automatic short circuit protection is also included, so in the event of tampering or compromise, the unit will automatically shut down, then re-start once the fault has been removed. All units can be installed on both 12Vdc or 24Vdc vehicles without adjustment.

Units can be installed directly into bulkheads, vehicle walls, into seat fittings and underneath seats using the mounting pod P/N USB-POD. They can also be fitted onto table tops using the horizontal surface mounting pod P/N USB-TPOD.

APPROVALS AND MANUFACTURE

The range has been designed to meet the rigorous standards required for on board commercial vehicle applications including EN50498, ISO7637-2, EN61373 and EN50155 and is both CE and E marked (Reg10). The casings are made from V0 rated (self-extinguishing) high impact polycarbonate and the electronic assembly is predominantly by computer controlled SMT for maximum durability.



WARRANTY

The PV65R range of chargers are manufactured using rugged components to provide years of service in demanding commercial environments and are covered by a three year return to base guarantee.

CHOOSE YOUR PV65R PRODUCT

Part Number	Description	Dimensions (mm)	Weight
PV65R-S	Single output 12/24-5V USB Charger 2.1A	Ø37 x 49; Hole Ø30; Rear space req. typ. 36	36g
PV65R-D	Double output 12/24-5V USB Charger 3.0A (1.5A per socket)	Ø37 x 49; Hole Ø30; Rear space req. typ. 36	40g
PV65R-SFf	Single output 12/24-5V USB 2.1A Front fitting	Ø47 x 49; Hole Ø30; Rear space req. typ. 36	39g
PV65R-DFf	Double output 12/24-5V USB Charger 3.0A Front fitting	Ø47 x 49; Hole Ø30; Rear space req. typ. 36	43g
USB-POD	Under-seat mounting pod for USB Chargers	Width 60; Height 52; Depth 80	69g
USB-TPOD	Table mounting pod for USB Chargers	Width 103; Height 44.5; Depth 88	73g
PV-USB-H1	Standard 1.2m wiring with in-line 2A fuse	1 x Red 1.2m, 1 x Black 1.2m	50g

TECHNICAL DATA

Input voltage range	9-32Vdc
Output voltage	5Vdc +/- 0.2V
Output Power	2.1A (single), 3.0A (double) - max 1.5A per socket
Application	Charges all USB devices including Apple and Android
Transient voltage protection	Meets ISO7637-2 International standard for 12/24V vehicles
Output noise	<50mV pk-pk
Off load current (quiescent current)	<1.7mA
Power conversion efficiency	90%
Isolation	Non-Isolated, >400Vrms only between casing and terminals. For full galvanic isolation, see PV6i-R, PV12-R.
Operating temperature	-25°C to +55°C to meet this specification table
Storage temperature	-25°C to +100°C
Operating humidity	95% max., non-condensing
Casework	Dark grey polycarbonate body, with yellow end cap
Connections	Input: 6.3mm push-in flat blade connectors Output: USB type 'A' single/double socket - tested to 10,000 mating cycles
Output indicator	Blue LED output indication
Mounting method	30mm diameter hole with or without bezel.
Safe area protection:	<ul style="list-style-type: none"> Over Current Limited by current sensing circuit Over heat Limited by temperature sensing circuit Overvoltage and Undervoltage Limited by sensing circuit Reverse Polarity Limited by sensing circuit Transients Protected by filters and rugged component selection Catastrophic protection Internal fuse
Approvals	2014/30/EU The general EMC directive Regulation 10 The automotive directive 93/68/EEC The CE marking directive
Designed to	EN50498, EN61373, EN50155, EN50121-3-2, EN45545 & ISO 7637-2, AES5 & R118
Markings	CE, UKCA and E marked
IP Rating:	IP65 (Not USB connector). Cleaning: wipe with a damp cloth (do not spray).

POWERVERTER POLE MOUNTED 12/24VDC USB POLE CHARGING UNIT

PASSENGER ACCESSIBLE USB CHARGERS FOR POLE INSTALLATIONS

USB is the preferred method for charging mobile devices on the move. The Alfatronix range of PVPro chargers can already be seen installed on vehicle walls, seat backs and table tops as well as under seats. The PVPm-S USB charger is designed for applications where journeys are relatively short and passengers are standing for some or all of their time on the vehicle. These units are designed for installation onto vertical poles and offer a robust solution for buses, trams, trains and metro carriages.

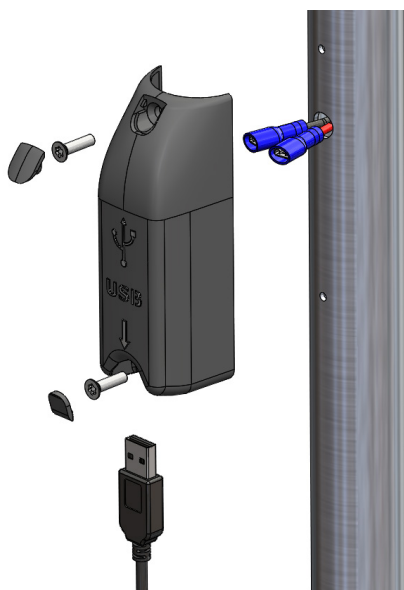
The units are designed to be fitted directly to 35mm diameter poles and provide an easily accessible and strong charging solution. These chargers utilise the latest fast charge technology and will seek to communicate with the phone and where compatibility exists, will automatically increase the charge voltage. Using this system, it is possible to provide a useful charging boost even over relatively short time periods.



Designed for integration into passenger vehicles.

Accepts both 12Vdc and 24Vdc.

- Approved to EN50498 and ISO7637-2. E marked (Reg10) and CE marked.
- Quick Charge enabled.
- 2A internal fuse to protect against catastrophic failure.
- Convenient wide input of 9-32Vdc in one standard casing.
- LED indicates unit operational.
- Robust design allows the unit to be grabbed as part of the pole without damage.
- USB connector faces downwards to protect against splashes and avoid connector damage.



It is recommended that these units are fused individually with a 1Amp fuse (24V systems) or a 2Amp fuse (12V Systems).

THE RANGE

The PVPm range has been designed to meet the rigorous standards required for on board commercial vehicle applications including EN50498 and ISO7637-2 and is both CE and E marked (Reg10). The casings are made from V0-rated (self-extinguishing) high impact polycarbonate and the PCB is populated by computer-controlled SMT for maximum accuracy and durability.

WARRANTY

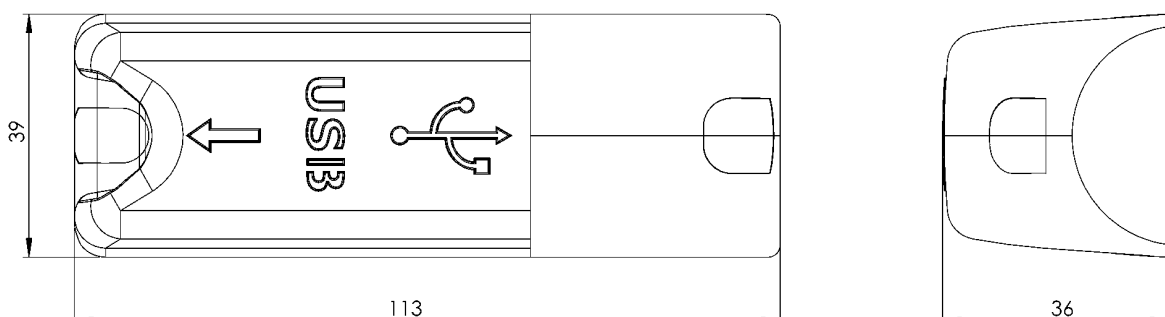
The PVPm Series of Pole mounted USB chargers are manufactured using rugged components to provide years of service in demanding commercial environments and are covered by a three year return to base warranty.

POLE MOUNTED USB CHARGER

Part Number	Description	Dimensions	Weight
PVPm-S	Pole mounted USB charging unit	113 x 39 x 37mm	57g

TECHNICAL DATA

Input voltage range	9-32Vdc
Output voltage	5Vdc +/- 0.2V for BC 1.2V and up to 9Vdc for Q.C 3.0
Output power	10W for BC1.2 and 12W for Q.C 3.0
Application	Charges all USB devices Including Apple and Android
Transient voltage protection	Meets ISO7637-2 International standard for 12/24V vehicles and EN61000.4.4 and 4.5
Output noise	<50mV pk-pk
Off load current (quiescent current)	<1.7mA
Power conversion efficiency	90%
Isolation	Non-isolated, >400Vrms only between casing and terminals. For full galvanic isolation, see PV Railway
Operating temperature	-25°C to +55° to meet this specification table
Storage temperature	-25°C to +100°C
Operating humidity	95% max., non-condensing
Casework	Dark grey polycarbonate body (R118 + EN45545 materials approved)
Connections	Input: 6.3mm push-in flat blade connectors Output: USB type 'A' single socket - tested to 10,000 mating cycles
Output indicator	LED indicates unit operational
Mounting method	Screw mounting to vertical pole (Ø35mm)
Protection:	<ul style="list-style-type: none"> Over Current Limited by current sensing circuit Over heat Limited by temperature sensing circuit Overvoltage and Undervoltage Limited by sensing circuit Reverse Polarity Limited by sensing circuit Transients Protected by filters and rugged component selection Catastrophic protection Internal fuse
Approvals	2014/30/EU The general EMC directive Regulation 10 The automotive directive 93/68/EEC The CE marking directive
Designed to	EN50498, EN55032, EN50155, EN50121-3-2, EN45545, ISO 7637-2 & R118
Markings	CE, UKCA and E marked
IP Rating:	IP53



ICI SERIES DC-DC INTELLIGENT BATTERY CHARGERS

DC-DC INTELLIGENT BATTERY CHARGERS

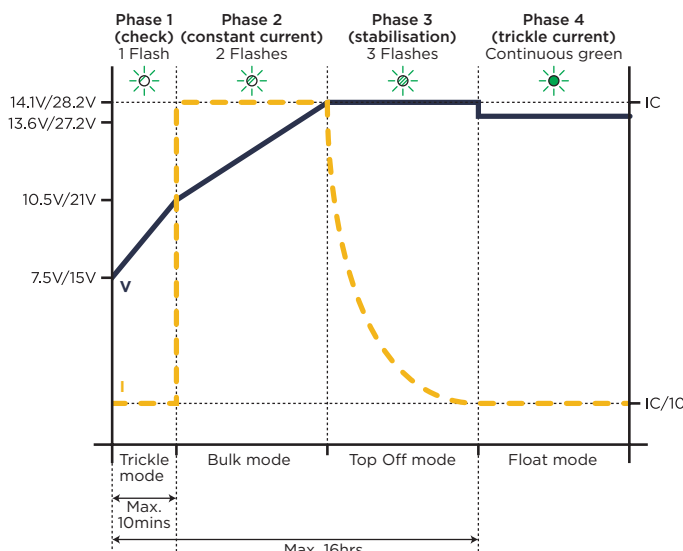
While many applications can be supplied using a standard voltage converter or stabiliser, sometimes there can be a requirement to charge one DC battery from another in order to provide independent power. The Alfatronix range of DC-DC chargers are based on the very successful PowerVerter range but configured to offer a four stage charging program that will ensure that batteries are charged to a maximum capacity providing long term reliable power.

These products come with many of the same safety and protection features as the PowerVerter, but are also additionally designed to detect faulty batteries and dead cells. They will also ensure that they will not operate unless the source battery is attached to a charging source such as a vehicle alternator or mains unit. In this way, you can ensure that the charger will not allow unintentional draining of the source battery.



MANY KEY FEATURES

These intelligent battery chargers operate a four stage charging cycle. The first stage monitors the battery to establish that the battery is in good condition before starting the three stage process. This feature is of key importance in ensuring that faulty batteries are not inadvertently charged causing overheating and potential system failure. The units are also reverse polarity protected and when re-connected correctly will operate normally without reset. The Alfatronix three point mounting cradle is also supplied for fast and easy installation.



- These intelligent DC-DC battery chargers offer a comprehensive 4 stage charging programme as well as protection against battery source drainage. A fifth terminal is also available to allow the unit to be installed as a float-mode charger if required as an alternative.
- All the battery chargers are galvanically isolated so can be used on any application including automotive, marine, petrochemical or off road applications.
- DC-DC chargers are suitable for providing auxiliary power on a wide variety of vehicles including fire, police and ambulance, as well as farming, forestry, commercial and leisure marine.

CHOOSE YOUR BATTERY CHARGER

Part Number	Current	Input Voltage	Power Rating	Dimensions	Weight
ICi24-12 144	12A Isolated	24Vdc input, 12Vdc output (variable charge voltage)	144W	167 x 87 x 50mm	600g
ICi24-24 144	6A Isolated	24Vdc input, 24Vdc output (variable charge voltage)	144W	167 x 87 x 50mm	600g
ICi12-12 072	6A Isolated	12Vdc input, 12Vdc output (variable charge voltage)	72W	167 x 87 x 50mm	600g
ICi12-24 072	3A Isolated	12Vdc input, 24Vdc output (variable charge voltage)	72W	167 x 87 x 50mm	600g

TECHNICAL DATA

Input voltage range	24-32Vdc, 12-16Vdc. Configured to prevent depletion of source battery.	
Output voltage	12V or 24V nominal through the intelligent battery charging curve. Please see charge graph for further information.	
Transient voltage protection	Meets ISO7637-2 International standard for 24Vdc commercial vehicles	
Electrostatic voltage protection	Meets ISO10605, >8kV contact, 15kV discharge	
Output noise	<50mV pk-pk (100mV on 24V units) at continuous load. Meets CISPR25.	
Off load current (quiescent current)	Typically <5mA. Unit will shut down when source battery is not being charged.	
Power conversion efficiency	Typically 85%	
Isolation	>400Vrms between input , output and case, on isolated products only	
Operating temperature	-25°C to +30°C to meet this specification table +30°C to +80°C de rate linearly to 0A	
Storage temperature	-25°C to +100°C	
Operating humidity	95% max., non-condensing	
Casework	Anodised aluminium, glass-filled polycarbonate, dust, water and impact resistance to IP533	
Connections	Five 6.3mm push-on flat blade connectors	
Output indicator	Multicolour LED adjacent to output terminals indicating power and charging mode	
Mounting method	"Click 'n' fit" mounting clip, fitted separately using three hole fixing	
Safe area protection:	Over current	Limited by current sensing circuit
	Over heat	Limited by temperature sensing circuit
	Transients	Protected by filters and rugged component selection
	Catastrophic failure	Protected by internal input and output fuses
Approvals	2014/30/EU The general EMC directive Regulation 10 The automotive directive 93/68/EEC The CE marking directive	
Designed to	EN50498, ISO 7637-2, EN61204-3	
Markings	CE, UKCA and E (automotive) marked	

POWERTECTOR

LOW VOLTAGE DISCONNECT

SOLID STATE BATTERY GUARDS

The PowerTector Battery Guard is a solid state battery device that will monitor the source voltage and disconnect the equipment from the battery if the voltage falls below a pre-determined level. This can work to ensure that there is always sufficient voltage remaining in the battery to start a vehicle engine or ensure power is available for other critical applications. The total discharge of a lead acid battery can also cause damage to the cells significantly shortening the life of the battery. The PowerTector unit can also be set to disconnect equipment at a lower voltage that will still protect the battery from total discharge, while allowing for maximum battery usage. A timed version is also available which will disconnect automatically after a set period of time once the ignition has been switched off.



- All PowerTectors from 40A upwards are mounted in a rugged die cast aluminium casing with glass filled polycarbonate cover providing terminal protection and insulation.
- Smaller unit; The 20A is available in a lightweight, polycarbonate casing that can be simply fitted in the wiring, like an inline fuse without the need to drill the vehicle chassis.

A WIDE RANGE OF FEATURES

There are six units in the range from 20A to 200A. The 20A unit offer a simple in-line system, usually wired to a specific piece of equipment. These units do not require chassis mounting and simply connect and tie wrap neatly within the wiring system.

The 40A and 60A units are connected by M6 brass bolts, the 100A and 200A by M10 brass bolts and use a three point mounting system to avoid rocking or stress to the electronics when mounted on uneven surfaces. Heat is dissipated into our custom manufactured die cast casing and all units will operate at full power without additional heatsink dissipation.

MANUAL SHUTDOWN FACILITY

From 40A upwards, the units have the facility to be manually shutdown either through the ignition or a dedicated switch. In addition, from 100A upwards the units can have an override switch fitted. This allows the units to be reactivated for four minutes to allow emergency actions to be performed.

ALARM & DISCONNECT DELAY FEATURE

An alarm output is provided which, once the threshold has been reached for 10 seconds, will activate, sounding an alarm or other indicating device for a further 50 seconds prior to disconnection. This allows the operator to restart the engine or take other action to maintain continuous power. (alarm not provided)

TIMED VERSIONS

In addition to the standard PowerTectors, the PT-T versions offer a timed facility. This will disconnect the output after a set time after the ignition has been turned off. If required, during this time period, the voltage can still be monitored and disconnected if it falls below a set level to protect the battery power and system. The unit will reactivate when the ignition has been turned on again and the battery voltage has reached 8.5Vdc (12V systems), 17Vdc (24V systems).

FULLY PROGRAMMABLE

All units in the range are supplied pre-programmed for a variety of scenarios offering higher or lower disconnect voltages and it is quick and simple to select the correct programme to suit your needs.



- Using the simple programming terminal, select the pre-set disconnect voltage according to your requirements.
- LED indicates operational status.
- Audible alarm and/or visual indicator can be installed in the dashboard or cockpit to alert operator of a potential problem.
- Switch terminal allows the unit to be operated via the ignition or a manual switch.
- The PowerTector battery guards offer excellent protection for communication and other mission critical applications

CHOOSE YOUR POWERTECTOR PRODUCT

Part Number	Current	Input Voltage	Dimensions	Weight
PT20	20A continuous	9Vdc-32Vdc (Automatic Referencing)	155 x 30 x 15mm	45g
PT20-T	20A continuous	9Vdc-32Vdc (Auto Ref) Timed	155 x 30 x 15mm	45g
PT40	40A continuous	9Vdc-32Vdc (Automatic Referencing)	76 x 78 x 33mm	155g
PT40-T	40A continuous	9Vdc-32Vdc (Auto Ref) Timed	76 x 78 x 33mm	155g
PT60	60A continuous	9Vdc-32Vdc (Automatic Referencing)	76 x 78 x 33mm	155g
PT60-T	60A continuous	9Vdc-32Vdc (Auto Ref) Timed	76 x 78 x 33mm	155g
PT100	100A continuous	9Vdc-32Vdc (Automatic Referencing)	124 x 97 x 51mm	530g
PT100-T	100A continuous	9Vdc-32Vdc (Auto Ref) Timed	124 x 97 x 51mm	530g
PT200	200A continuous	9Vdc-32Vdc (Automatic Referencing)	124 x 97 x 51mm	530g
PT200-T	200A continuous	9Vdc-32Vdc (Auto Ref) Timed	124 x 97 x 51mm	530g

TECHNICAL DATA

Input voltage range	9-32Vdc (Automatic Referencing)								
Output voltage	Equal to input voltage when operating (maximum of 100mV drop across terminals)								
Transient over current rating (% of continuous value)	110% for 10s 200% for 1s 300% for <0.5ms On over current shutdown there is a retry every 30s								
Quiescent current when shutdown (while running)	Typ 2mA @ 13.6V, (PT40/60 Typ 4mA @ 13.6V), (PT100/200 Typ 6mA @ 13.6V)								
Transient voltage protection	Meets ISO7637-2 International standard for 24V vehicles								
Electrostatic voltage protection	Meets ISO10605, >8kV contact, 15kV discharge								
Operating temperature	-25°C to +60°C to meet this specification table								
Storage temperature	-25°C to +100°C								
Ingress protection	IP65								
Casework	Silver anodised aluminium, glass filled polycarbonate								
Connections	PT20 Insulated 6.3mm push-on flat blade connectors PT40/60 M6 ring tongues PT100/200 M10 ring tongues 6.3mm push-in flat blade connectors for earth, switch, override and alarm Programming lead with 2.8mm blade connector provided								
Output indicator	Green LED for programming and output indication								
Mounting method	PT20 tie wrap to wiring (supplied) PT40/60/100/200 3off half inch No8 pozi pan head screws (supplied)								
Safe area protection:	<table border="0"> <tr> <td>Over current</td> <td>Limited by current sensing circuit</td> </tr> <tr> <td>Over heat</td> <td>Limited by temperature sensing circuit</td> </tr> <tr> <td>Transients</td> <td>Protected by filters and rugged component selection</td> </tr> <tr> <td>Catastrophic protection</td> <td>Set by external input fuse (set by application demands) and ground line fuse max 1A</td> </tr> </table>	Over current	Limited by current sensing circuit	Over heat	Limited by temperature sensing circuit	Transients	Protected by filters and rugged component selection	Catastrophic protection	Set by external input fuse (set by application demands) and ground line fuse max 1A
Over current	Limited by current sensing circuit								
Over heat	Limited by temperature sensing circuit								
Transients	Protected by filters and rugged component selection								
Catastrophic protection	Set by external input fuse (set by application demands) and ground line fuse max 1A								
Approvals	2014/30/EU The general EMC directive Regulation 10 The automotive directive 93/68/EEC The CE marking directive AES5								
Designed to	EN50498, ISO 7637-2								
Markings	CE, UKCA and E (automotive) marked								

AD SERIES 115/230V_{AC} MAINS POWER SUPPLIES

MAINS POWER SUPPLIES IN 12V, 24V & 48V CONFIGURATIONS

The AD Series units may be used to supply mobile radios and other appliances from AC mains used in offices, portable site cabins, communication cabins, telephone exchanges, remote antennae sites, ships, oil rigs etc. The units will accept either European 230Vac or US 115Vac inputs and are available as standard in 12V, 24V and 48V output configurations. Input is via a standard IEC-320 C13/14 power cord with UK, European or US mains plugs - *please state your requirement*.



AD Series Power supplies can also be fitted with DIN rail clips for rack mounted applications.



FAST INSTALLATION

There's nothing worse than a power supply lying around on the floor. The T-shaped mounting clip, common to many Alfatronix products, allows the power supplies to be installed quickly and simply in many out of the way locations, such as underneath desks or on walls. The 3 point 'T' clip can be fitted securely, even on uneven surfaces, quickly and simply, and then the power supply simply 'clips' in place.

BATTERY CHARGING REQUIRED?

A fixed voltage battery charging facility is also available with the supplementary loom; P/N AD BB loom.

FULL CIRCUIT PROTECTION

The AD Series supplies have transient, overload and overheat protection for reliable operation even in the toughest environments.

RUGGED AND COMPACT

These units, often referred to as 'brick in the lead' supplies are housed in a rugged, corrosion resistant anodised aluminium extrusion. The low mass surface mount technology components offer excellent resistance to shock and vibration, thus further increasing the reliability of these products.

A green LED indicates when there is output from the converter. This gives reassurance to the installation engineer and speeds fault finding.

DESKTOP VERSIONS ALSO AVAILABLE

While the brick power supplies offer a versatile solution, if you are powering a mobile radio, try our *Desktop Versions*. These are configured to attach to the radio forming one dedicated unit and are available for a variety of radios including Motorola, Hytera, Tait, Kenwood, Icom, Maxon and Vertex.

PRODUCT CODING

The product code is derived as follows, taking the AD 115/230-12 108 as an example:

AD	AC input and DC output
115/230	Denotes auto select US or European AC input voltage
-12	Nominal 12Vdc output
108	108W capacity unit

CHOOSE YOUR AD SERIES PRODUCT

Product Codes	Output Voltage			Dimensions	Weight
	12Vdc	24Vdc	48Vdc		
AD 115/230-12 036 (3A)	AD 115/230-24 036 (1.5A)	AD 115/230-48 036 (0.75A)	174 x 87 x 62mm	675g	
AD 115/230-12 072 (6A)	AD 115/230-24 072 (3A)	AD 115/230-48 072 (1.5A)	174 x 87 x 62mm	675g	
AD 115/230-12 108 (9A)	AD 115/230-24 108 (4.5A)	AD 115/230-48 108 (2.25A)	174 x 87 x 62mm	675g	
AD 115/230-12 168 (14A)	AD 115/230-24 168 (7A)	AD 115/230-48 168 (3.5A)	225 x 87 x 62mm	900g	
AD 115/230-12 240 (20A)	AD 115/230-24 240 (10A)	AD 115/230-48 240 (5A)	264 x 87 x 62mm	1150g	
Additional Loom for battery charging - P/N: AD BB Loom					

TECHNICAL DATA

Input voltage range	Auto-Select, 85-135Vac and 170-265Vac, 50/60Hz								
Output voltage options	13.6Vdc, 27.2Vdc or 54.4Vdc, as ordered. Worst case limits are +/- 4%								
Output Noise	<50mV pk-pk at continuous load (100mV on 24V versions, 200mV on 48V versions)								
Power Conversion Efficiency	Typically 83%								
Isolation between input and case/output	1.5kVac/3.0kVac rms								
Isolation between casework to ground	Connected directly to mains input ground								
Normal operating temperature	-25°C to +30°C to meet this specification table +30°C to +70°C de rate linearly to 0A								
Storage temperature	-25°C to +100°C								
Max case temperature	70°C at full load with 25°C ambient								
Operating humidity	95% max, non-condensing								
Casework	Anodized aluminum, glass-filled polycarbonate								
Connections:	<table border="0"> <tr> <td style="padding-right: 10px;">Input</td> <td>IEC-320 C14 socket, C13 terminated cordset</td> </tr> <tr> <td style="padding-right: 10px;">Output</td> <td>6.3mm push-on blade terminals</td> </tr> <tr> <td style="padding-right: 10px;">Ground</td> <td>6.3mm push-on blade terminals, adjacent to input (additional external ground if required)</td> </tr> </table>	Input	IEC-320 C14 socket, C13 terminated cordset	Output	6.3mm push-on blade terminals	Ground	6.3mm push-on blade terminals, adjacent to input (additional external ground if required)		
Input	IEC-320 C14 socket, C13 terminated cordset								
Output	6.3mm push-on blade terminals								
Ground	6.3mm push-on blade terminals, adjacent to input (additional external ground if required)								
Output indicator	Green LED adjacent to output terminals								
Mounting method	'Click 'n' fit' mounting clip or rubber feet. DIN rail clips available if required.								
Safe area protection:	<table border="0"> <tr> <td style="padding-right: 10px;">Over current</td> <td>Limited by current sensing circuit</td> </tr> <tr> <td style="padding-right: 10px;">Over heat</td> <td>Limited by temperature sensing circuit</td> </tr> <tr> <td style="padding-right: 10px;">Transients</td> <td>Protected by filters and rugged component selection</td> </tr> <tr> <td style="padding-right: 10px;">Catastrophic protection</td> <td>Protected by internal input and output fuses</td> </tr> </table>	Over current	Limited by current sensing circuit	Over heat	Limited by temperature sensing circuit	Transients	Protected by filters and rugged component selection	Catastrophic protection	Protected by internal input and output fuses
Over current	Limited by current sensing circuit								
Over heat	Limited by temperature sensing circuit								
Transients	Protected by filters and rugged component selection								
Catastrophic protection	Protected by internal input and output fuses								
Approvals	2014/30/EU The general EMC directive 2014/35/EU The low voltage directive 93/68/EEC The CE marking directive								
Designed to	EN62368, EN61204-3								
Markings	CE and UKCA marked								

AD SERIES DESKTOP POWER SUPPLIES

DESKTOP POWER SUPPLIES

The desktop power supplies, popularly called the "wedge" due to its distinctive, ergonomically friendly shape, offer a convenient way to convert 12Vdc mobile radio transceivers for use as desktop base stations. They will operate from AC supplies, either 115V or 230V without manual adjustment and output of 12Vdc at 9Amps.



- We started making these for Motorola radios in 2002, now we have 27 varieties for 11 manufacturers.
- The desktop units are supplied with end-plates configured to fit with your radio – see complete list.
- For a complete system, order our fully compatible battery back up box – P/N AD BBB (to include a 7Ah battery) or AD BBB NB (excluding the battery).

Radio Transceiver + Alfatronix Desktop Power Supply + Alfatronix Battery Back Up Box

BATTERY BACK UP BOX

The AD Series Desktop Power Supplies include a battery back up output as standard. This can be connected to maintain charge in a lead acid battery to supply power in the event of a mains failure. As a neat alternative to a loose battery, Alfatronix also supply a battery back up box, P/N AD BBB. This is designed to fit underneath the desktop supply and radio assembly and includes a 7Ah lead acid gel battery, presenting all three components as one tidy desktop assembly.

The battery back up box also includes a speaker (mounted on the front of the unit) for those wishing to use hands free radio operation.

CAN'T FIND WHAT YOU'RE LOOKING FOR?

Alfatronix Desktop "wedge" power supplies are configured to suit a wide range of radio transceivers from many manufacturers. However, if you use a variety of radio not listed, or cannot find

a compatible unit, try our UNIVERSAL unit (P/N AD UN UNI). This uses a mechanical interlocking fixing system ("hook and loop") to fix the transceiver securely to the power supply.

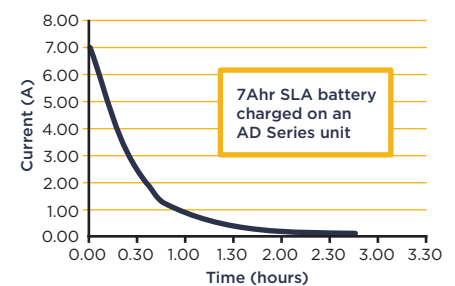
PRODUCT CODING

The product codes are developed to be as intuitive as possible. Taking the Motorola AD MT CM as an example:

AD	AC input & DC output
MT	Denotes the radio manufacturer, in this case Motorola
CM	Denotes a popular radio compatible with this unit

Please note: Like most part numbers, the CM fits a *range* of radios, not just the CM.

BATTERY CHARGING CURVE



TECHNICAL DATA

Input voltage range	Auto-select, 85-135Vac and 170-265Vac, 50Hz/60Hz
Output voltage & current	13.6Vdc. Worst case limits are +/- 4% 108W (9A)
Output Noise	<50mV pk-pk at continuous load
Power Conversion Efficiency	Typically 83%
Isolation between input and case/output	1.5kVac/3.0kVac rms
Isolation between casework to ground	Connected directly to mains input ground
Normal operating temperature	-25°C to +30°C to meet this specification table +30°C to +70°C de rate linearly to 0A
Storage temperature	-25°C to +100°C
Max case temperature	70°C at full load with 25°C ambient
Operating humidity	95% max, non-condensing
Casework	Anodized aluminum, glass-filled polycarbonate
Connections:	Input IEC-320 C14 socket, C13 terminated cordset Output 6.3mm push-on blade terminals Ground 6.3mm push-on blade terminals, adjacent to output (additional external ground if required)
Output indicator	Green LED mains output on Orange LED battery back up mode
Mounting method	By rubber feet on base and direct attachment to radio above.
Safe area protection:	Over current Limited by current sensing circuit Over heat Limited by temperature sensing circuit Transients Protected by filters and rugged component selection Catastrophic protection Protected by internal input and output fuses
Approvals	2014/30/EU The general EMC directive 2014/35/EU The low voltage directive 93/68/EEC The CE marking directive
Designed to	EN62368 & EN61204-3
Markings	CE & UKCA marked

	Weights and Dimensions			
	Width	Depth	Height	Weight
AD UN UNI	168mm	125mm	58mm	800g
AD BBB	163mm	145mm	70mm	2810g
AD BBB NB	163mm	145mm	70mm	318g

Note: The general body of all wedges measure as above. The end-plates protrude further to allow fixing to the radio.

Technical Note: AD BBB contains SLA Battery 12V 7Ahr, both AD BBB and AD BBB NB contain Speaker 8 OHM 3W

AD SERIES

DESKTOP POWER SUPPLIES

FULL PRODUCT LIST

Brand	Alfatronix Part Number	Model	Width (mm)	Height (mm)	Depth (mm)		
Motorola	AD MT-3100/DM	MTM5400 Tetra	170	49	155		
		MTM800 Tetra	170	49	155		
		PRO3100	177	56	176		
		PRO5100	186	59	179		
		PRO7100	186	59	179		
		GM340	168	48	187		
		GM640	168	48	187		
		GM350	168	48	183		
		GM360	168	48	183		
		GM660	168	48	199		
		GM380	168	48	199		
		DM 1400/DM 1600	169	44	134		
		DM 2600	169	44	134		
		DM 3400/DM 3401	175	51	206		
		DM 3600/DM 3601	175	51	206		
		DM 4400/DM 4401	175	51	206		
		DM 4600/DM 4601	175	51	206		
Motorola	AD MT-CM	CM-140	169	44	118		
		CM-160	169	44	118		
		CM-340	169	44	118		
		CM-360	169	44	118		
Motorola	AD MT TLK 150	TLK 150	169	44	93		
Kenwood	AD KW TK-762	TK-760	140	40	145		
		TK-860	140	40	145		
		TK-762	140	40	145		
		TK-780	140	40	145		
		TK-880	140	40	145		
		TK-980	140	40	145		
		TK-981	140	45	145		
		Kenwood	AD KW NX 5000	NX-5700/5800	171	48	176
Kenwood	AD KW TK-7102H	NX-1700/1800	160	43	137		
		NX-700/800	160	45	157		
		NX-3720/3820	160	43	160		
		TK-7302/8302	160	43	137		
		TK-7180	160	45	157		
		TK-7189E	160	45	157		
		TK-8180	160	45	157		
		TK-8189E	160	45	157		
		TK-7360/8360	160	43	160		
		TK-D740E/TK-D840E	160	43	123		
Kenwood	AD KW TK-7160	TK-7160	160	43	107		
		TK-7162	160	43	107		
		TK-8160	160	43	107		
		TK-8162	160	43	107		
		TK-7102	160	43	107		
		TK-8102	160	43	107		
Icom	AD IC IC-F310	IC-F310s	140	40	170		
		IC-F410s	140	40	170		
		IC-F310	140	40	170		
		IC-F410	140	40	170		
		IC-F510	140	40	170		
		IC-F610	140	40	170		
		IC-F320s	140	40	170		
		IC-F420s	140	40	170		
		IC-F320	140	40	170		
		IC-F420	140	40	170		
		IC-F520	140	40	170		
		Icom	AD IC IC-F1700	IC-F1710	175	45	170
				IC-F2710	175	45	170
IC-F1810	175			45	170		
IC-F2810	175			45	170		
Icom	AD IC IC-F1010	IC-F1010	150	50	180		
		IC-F2010	150	50	180		
		IC-F1020	150	50	180		
		IC-F2020	150	50	180		
		IC-F1610	150	50	180		
		IC-F2610	150	50	180		
		IC-A110 Euro	150	50	180		
Icom	AD IC IC-F110	IC-F110	150	40	117.5		
		IC-F110S	150	40	117.5		
		IC-F210	150	40	117.5		
		IC-F210S	150	40	117.5		
		IC-F5022	150	40	117.5		
		IC-F6022	150	40	117.5		
		IC-F121/IC-F121S	150	40	167.5		
		IC-F221/IC-F221S	150	40	167.5		
		IC-F111/IC-F111S	150	40	167.5		
		IC-F211/IC-F211S	150	40	167.5		
		IC-F5122	150	40	167.5		
		IC-F6122	150	40	167.5		
		IC-F5012	150	40	167.5		
IC-F6012	150	40	167.5				
Icom	AD IC IC-F5062	IC-F5062	160	45	150		
		IC-F6062	160	45	150		
		IC-A120E	161	45	176		
Icom	AD IC IC-F5400	IC-F5400D	174	55	150		
		IC-F6400D	174	55	150		

Brand	Alfatronix Part Number	Model	Width (mm)	Height (mm)	Depth (mm)
Icom	AD IC IP501M	IP501M	129	29	156
Tait	AD TA-8000	TM8105	160	50	175
		TM8110	160	50	175
		TM8250	160	50	175
		TM8255	160	50	175
		TM9300	160	50	175
		TM9400	160	50	175
Vertex Standard	AD VS VX-2200	VX2200E/2100E	165	46	155
Vertex Standard	AD VS VX-4500	VX-4500/4600	165	45	155
		EVX-5300/5400/5600	165	45	155
Vertex Standard	AD VS FP-2500	VX-2000V	160	40	105
		VX-2000U	160	40	105
		FP-2500E	160	40	110
Vertex Standard	AD VS VX-4104	VS-4104-0-50	165	43	155
		VX4100E	165	43	155
		VX4200E	165	43	155
Maxon	AD MX PM160	PM100	174	58	167
		PM160	174	58	167
Nokia Airbus	AD NK EA-TMR880	TMR880	190	58	130
Nokia Airbus	AD NK EA-TMR880i	TMR880i	182	60	125
		TMR880i remote head	190	72	36
Novel	AD NR-M400	NM-60-100	225	47	180
		NM-60-400	225	47	180
Hytera	AD HYT 600	TM 600	152	43	125
		TM 610	152	43	125
Hytera	AD HYT 615	MD 615	164	43	150
		MD 625	164	43	150
Hytera	AD HYT 785	MD 785	170	60	180
		HM 785	170	60	180
Hytera	AD HYT 680	MT 680	180	60	180
Hytera	AD HYT MD655	MD652/MD652G	165	46	140
		MD655/MD655G	165	46	140
Hytera	AD HYT HM655	HM 685	165	46	140
		HM 655	165	46	140
		Kirisun DMR 840	165	46	140
Hytera	AD HYT MNC360	MNC360	66	170	39
Sepura	AD SP 8000	SBM800/SCM8000/SEM8000	177	60	184
Simoco	AD SIM SDM 700	SDM 700	170	60	120
Universal	AD UN UNI	Clearstone Hytera TM 800 Simoco Sepura IC-705 Caltta DMR-PM790			

The Alfatronix range of Desktop Power Supplies provide bespoke solutions for radios from a wide range of manufacturers. For any not listed the *AD UNI* version can be used with any radio.



Motorola
1400/1600



Motorola
MTM800 TETRA



Motorola
DM3400



Hytera
MD785



Tait
TM8105



Hytera
TM600

POWERVERTER & DD SERIES

IP65 RUGGEDISED CONVERTERS

HARSH ENVIRONMENTS

These products offer the same great electrical characteristics as our PowerVerter and DD Series, but are provided in "Ruggedised" casings for use in harsh environments. Using the well-known Ingress Protection System, the product range has been tested and subjected to demanding environmental conditions and awarded a rating of IP65. All Ruggedised PowerVerterter are enclosed in a durable aluminium extrusion. The low mass Surface Mount Technology components are also less prone to damage from vibration and shock, further increasing the reliability of the units.

INNOVATIVE TECHNOLOGY

Utilising the same GORE-TEX® technology that is used in extreme outdoor clothing, the Ruggedised range is able to breathe freely, without compromising the water tight and dust tight seal. This free-flow of air ensures that the pressure remains equal inside and outside the unit thus allowing it to operate within a large temperature range and at varying altitudes safely.

FAST INSTALLATION

All the products fit onto a "Click 'n' Fit" mounting clip which is fixed in three points allowing it to be mounted on uneven surfaces. It is easy to fit the clip into awkward places, then simply click the unit into position.

ANTI-VIBRATION

As well as being dust and water tight to IP65, the units are vibration resistant. They have an anti-vibration cable gland fitted into a hexagonal recess to prevent unwanted knocks from loosening it, so they can be fitted into rugged environments care-free.



ADDITIONAL FEATURES

The RU range has the same features as the standard PV & DD range, but in addition, they also offer the following benefits:

- Dust, water and impact resistant to IP65.
- Breathable vent to prevent unwanted build up of pressure.
- Anti-vibration cable gland.
- Supplied with 1m of cable as standard.

PRODUCT VARIANTS

Many PowerVerter-RU and DD-RU Series products can be configured with alternative output voltages etc. for specialist applications. Please call our sales team to discuss your requirements.



CHOOSE YOUR RU SERIES PRODUCT

Part Number	Cont/Int Current	Nominal Voltage	Power Rating	Dimensions	Weight
PV3s-RU	3A/6A non-isolated	24Vdc input, 12Vdc output	36W	86 x 91 x 52mm	325g
PV6s-RU	6A/10A non-isolated	24Vdc input, 12Vdc output	72W	108 x 91 x 52mm	370g
PV12s-RU	12A/18A non-isolated	24Vdc input, 12Vdc output	144W	146 x 91 x 52mm	505g
*PV18s-RU	18A/21A non-isolated	24Vdc input, 12Vdc output	216W	186 x 91 x 52mm	820g
*PV24s-RU	24A/30A non-isolated	24Vdc input, 12Vdc output	288W	186 x 91 x 52mm	835g
**PV50s-RU	50A/60A non-isolated	24Vdc input, 12Vdc output	600W	274 x 125 x 74mm	2340g
PV3i-RU	3A/6A isolated	24Vdc input, 12Vdc output	36W	108 x 91 x 52mm	390g
PV6i-RU	6A/10A isolated	24Vdc input, 12Vdc output	72W	146 x 91 x 52mm	510g
PV12i-RU	12A/18A isolated	24Vdc input, 12Vdc output	144W	186 x 91 x 52mm	690g
PV18i-RU	18A/22A isolated	24Vdc input, 12Vdc output	216W	236 x 91 x 52mm	1035g
PV24i-RU	24A/30A isolated	24Vdc input, 12Vdc output	288W	236 x 91 x 52mm	1050g
DDi 12-12 036-RU	3A/4A isolated	12Vdc input, 12Vdc output	36W	108 x 91 x 52mm	390g
DDi 12-12 072-RU	6A/8A isolated	12Vdc input, 12Vdc output	72W	146 x 91 x 52mm	505g
DDi 12-12 108-RU	9A/11A isolated	12Vdc input, 12Vdc output	108W	186 x 91 x 52mm	835g
DDi 24-24 072-RU	3A/4A isolated	24Vdc input, 24Vdc output	72W	146 x 91 x 52mm	540g
DDi 24-24 108-RU	4.5A/6A isolated	24Vdc input, 24Vdc output	108W	186 x 91 x 52mm	640g
DDi 24-24 168-RU	7A/9A isolated	24Vdc input, 24Vdc output	168W	236 x 91 x 52mm	880g
DD 12-24 072-RU	3A/3.75A non-isolated	12Vdc input, 24Vdc output	72W	108 x 91 x 52mm	400g
*DD 12-24 168-RU	7A/9A non-isolated	12Vdc input, 24Vdc output	168W	186 x 91 x 52mm	740g
*DD 12-24 240-RU	10A/13A non-isolated	12Vdc input, 24Vdc output	240W	236 x 91 x 52mm	920g
**DD 12-24 400-RU	17A/22A non-isolated	12Vdc input, 24Vdc output	408W	221 x 125 x 74mm	2080g
**DD 12-24 600-RU	25A/30A non-isolated	12Vdc input, 24Vdc output	600W	274 x 125 x 74mm	2340g
DD 48-12 072-RU	6A/8A non-isolated	48Vdc input, 12Vdc output	72W	108 x 91 x 52mm	360g
DD 48-12 108-RU	9A/11A non-isolated	48Vdc input, 12Vdc output	108W	146 x 91 x 52mm	460g
DDi 48-12 036-RU	3A/6A isolated	48Vdc input, 12Vdc output	36W	108 x 91 x 52mm	390g
DDi 48-12 072-RU	6A/8A isolated	48Vdc input, 12Vdc output	72W	146 x 91 x 52mm	510g

Other input and output voltage configurations are also available as special orders, please ask our sales team

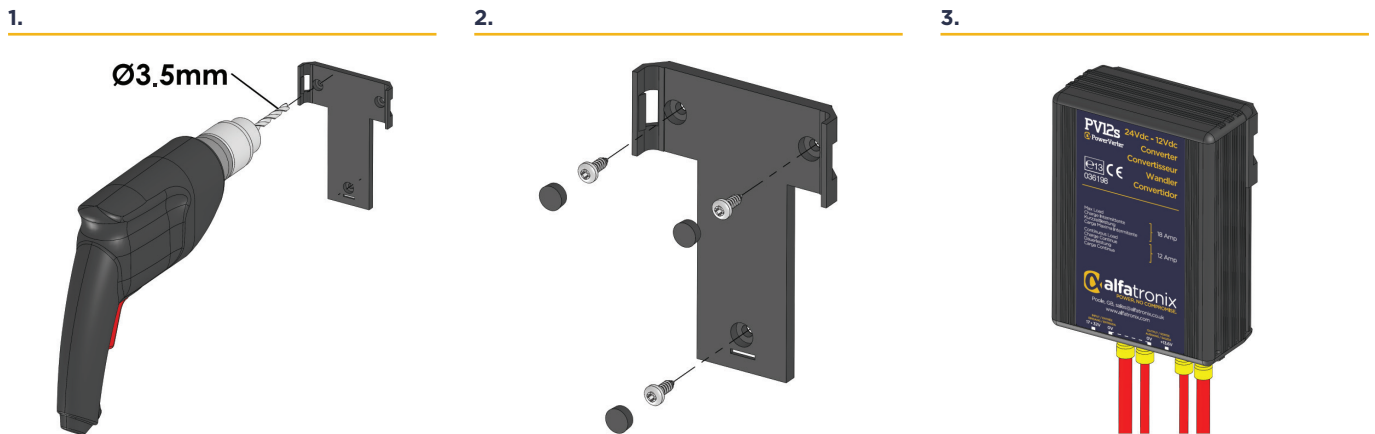
TECHNICAL DATA

Input voltage range	12Vdc, 24Vdc +/- 30%, 48Vdc -30% +25%
Output voltage	13.6Vdc or 27.2Vdc +15% -20% at extremes of temperature, load, input tolerance etc.
Intermittent output power	Continuous rating +25%, taken for maximum of 2 minutes followed by 8 minutes rest
Transient voltage protection	Meets ISO7637-2 International standard for 24Vdc commercial vehicles
Electrostatic voltage protection	Meets ISO10605, ISO14982, >8kV contact, 15kV discharge
Output noise	<50mV pk-pk (100mV on 24V units) at continuous load. Meets CISPR25 and VDE0879-3
Off load current (quiescent current)	<15mA (PowerVerter), <15mA (DD Series exc. 12-24), <100mA (DD Series 12-24 units)
Power conversion efficiency	Typically: 90% for non-isolated units, 85% for isolated units ** 95%
Isolation	>400Vrms between input, output and case, on isolated products only
Operating temperature	-25°C to +30°C de rate output current linearly from +30°C to 0A at +80°C
Storage temperature	-25°C to +100°C
Operating humidity	100%
Casework	Anodised aluminium, glass filled polycarbonate, dust water and impact resistance to IP65
Connections	4 core cable, *4 wires (1m in length) stripped and tinned for individual connection
Voltage drop in 1m supplied cable	60mV per amp @ 25°C on units with output current < 18A 10mV per amp @ 25°C on units with output current ≥ 18A
Output indicator	Green LED adjacent to cable gland
Mounting method	Click 'n' fit mounting clip, fitted separately using three hole fixture **4 hole cradle
Safe area protection:	
Over current	Limited by current sensing circuit
Over heat	Limited by temperature sensing circuit
Transients	Protected by filters and rugged component selection
Catastrophic protection	Protected by internal input and output fuses
Approvals	2014/30/EU The general EMC directive Regulation 10 The automotive directive 93/68/EEC The CE marking directive
Markings	CE, UKCA and E (automotive) marked

'T' SHAPED MOUNTING CRADLE

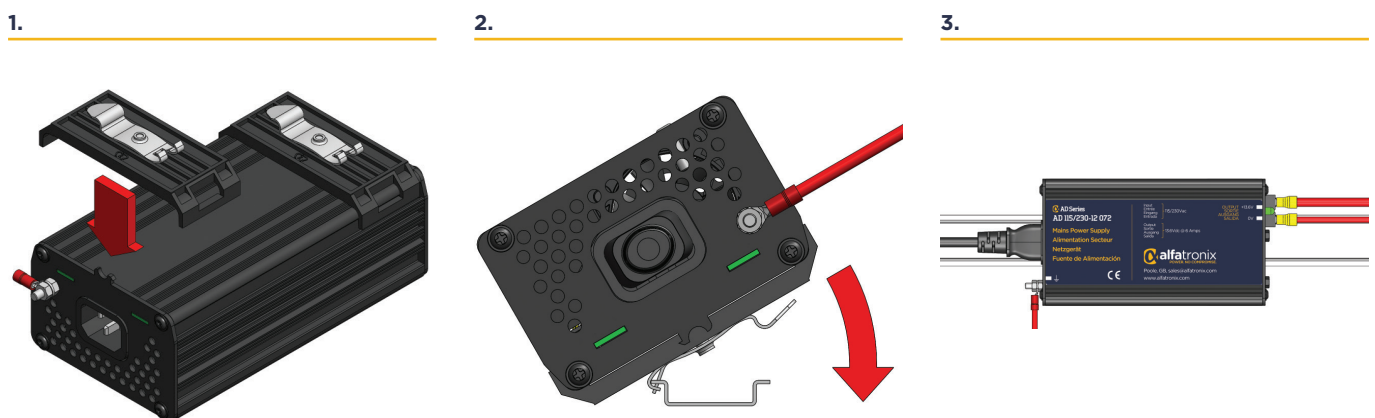
Many Alfatronix products are installed using our 'T' shaped mounting cradle. This is manufactured from VO rated (self-extinguishing) glass filled polycarbonate material and exhibits excellent strength and durability characteristics. The three point design allows for flat installation, even on uneven surfaces and it is both quick and easy to install as the bracket itself can be used as a template for accurate drilling before being screwed firmly into position. The converter can be fully wired before being clipped securely onto the bracket. The clip design is entirely vibration proof and, as the body of the converter covers the screw heads, once installed it is virtually impossible for any of the screws to vibrate loose, a potential long term problem on a diesel vehicle.

This bracket is supplied as standard with all PowerVerter DC-DC converters up to 240W (24A), DD Series converters (up to 240W) and Brick in the lead AD Series mains power supplies.



DIN RAIL MOUNTING CLIP

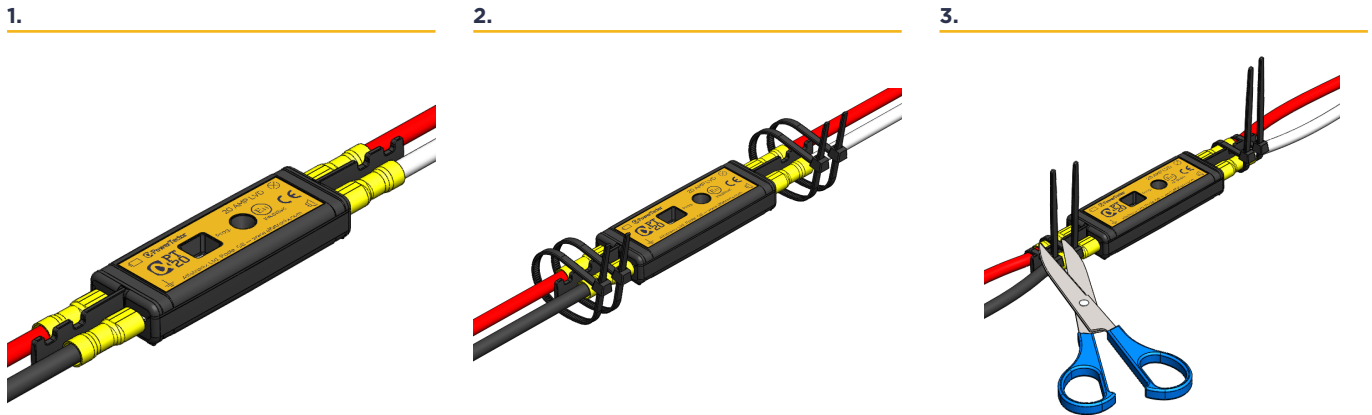
The din rail mounting pack is sold separately as an alternative to the 'T' shaped bracket and is supplied in a pack of two. Please order part number: DIN RAIL CLIP Pack (2). These are compatible with all units supplied with a 'T' bracket (which should be discarded). For PV3s units, only one clip is sufficient. A pair of clips should be used for all other installations.



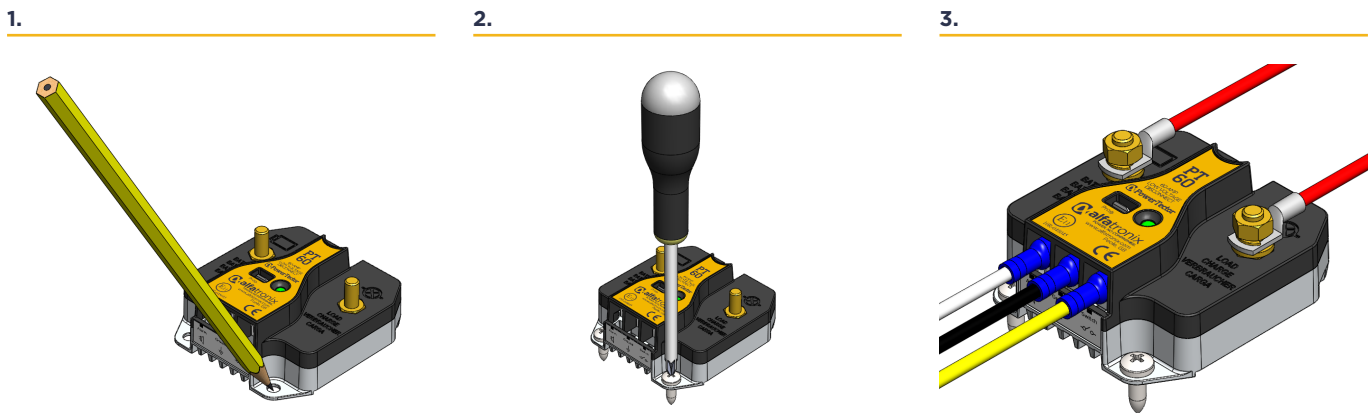
POWERTECTOR INSTALLATION METHODS

Depending on the size of the units, the PowerTector battery guards use two different mounting methods.

For any units up to 20A, it is not necessary to drill into the vehicle chassis as these small, lightweight units can be wired in place, then simply tie-wrapped in position in a similar way as an in line fuse.



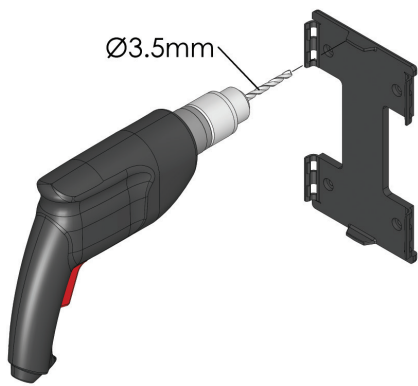
Units from 40–200A use a die cast aluminium body configured with three mounting holes. These are offset slightly from the heat-sink structure to allow installation onto uneven surfaces and provide for airflow beneath the unit.



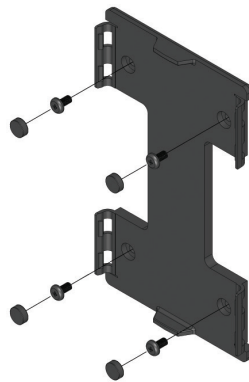
'I' SHAPED MOUNTING CRADLE

This cradle is supplied as standard and used for the more powerful, heavier units from 400W upwards. Examples include DD 12-24 400, DD 12-24 600 and PV50s. It is manufactured from VO rated (self-extinguishing) glass filled polycarbonate material and exhibits excellent strength and durability characteristics. The four point design includes spacer washers to allow for flat installation, even on uneven surfaces and it is both quick and easy to install as the bracket itself can be used as a template for accurate drilling before being screwed firmly in position. The converter can be fully wired before being clipped securely onto the bracket. The clip design is entirely vibration proof and as the body of the converter covers the screw heads, once installed it is virtually impossible for any of the screws to vibrate loose, a potential long term problem on a diesel vehicle.

1.



2.



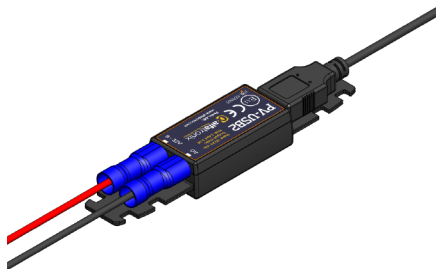
3.



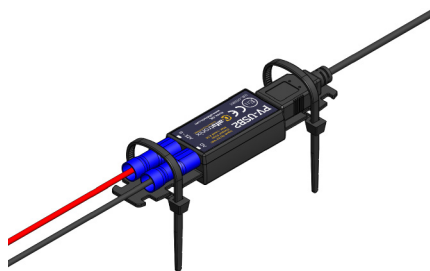
PV-USB2 INSTALLATION METHODS

To install the PV-USB2, it is not necessary to drill into the vehicle chassis as these small, lightweight units can be wired in place, then simply tie-wrapped in position in a similar way as an in line fuse.

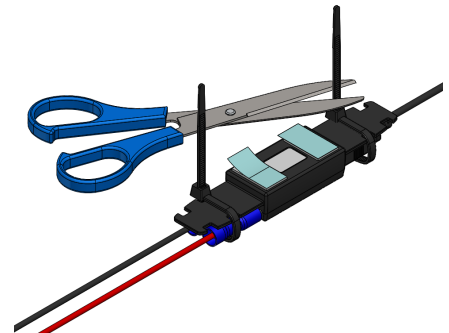
1.



2.



3.



PVPro & PV65R INSTALLATION METHODS

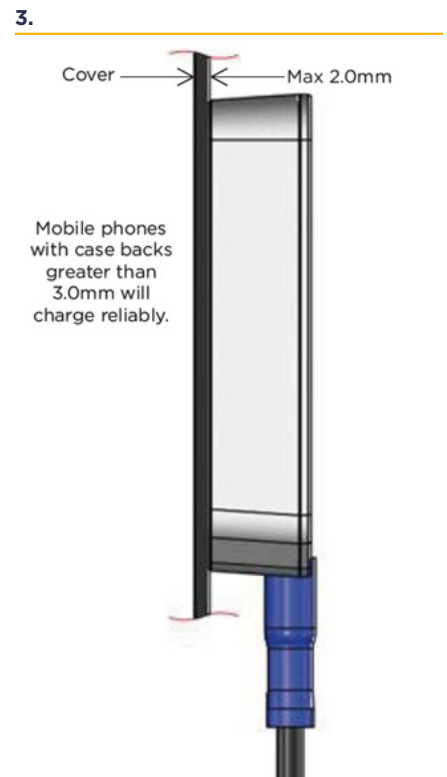
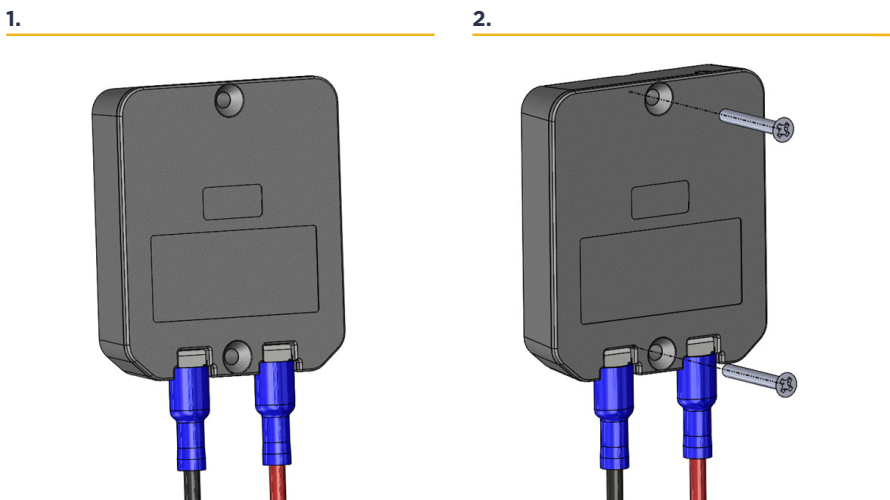
Choose a suitable mounting surface ensuring nothing behind can be damaged, then drill a Ø30mm hole. For Standard Ring installation press 'Standard Ring' over front of PVPro, ensuring the slot is at the bottom. Insert body through the hole. Tighten the nut onto back of body ensuring front is aligned. For Front fitting place bezel over PVPro/PV65R, mark screw hole positions, install through Ø30mm hole and screw into position. Press 'Bezel Ring' over front of PVPro, ensuring the slot is at the bottom.



INTEGRATED WIRELESS CHARGER INSTALLATION

Crimp cables on to blade terminals and plug onto unit. Using screws provided secure the device in desired location. (No.6 x 25 provided)

Ensure there is no more than 2mm of material in front of the unit. A distance of greater than 5mm from the front of the unit will stop the unit from detecting a phone. Connect to compatible power source (9V-32V, fused at 2A) and ensure blue light is on to check unit is working



WIRELESS CHARGER INSTALLATION

Use an 80mm hole to saw to cut hole in work surface—minimum table thickness 19.5mm. Crimp cables onto blade terminals or connect power supply

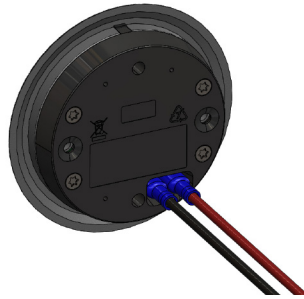
Place unit and cables through previously cut hole

Measure the thickness of work surface and choose correct size screw, using a 3mm hex key, lightly tighten the retaining plate to the underside of the work surface to secure the unit (DO NOT OVERTIGHTEN). Ensure the cable is trapped in the correct location.

1.



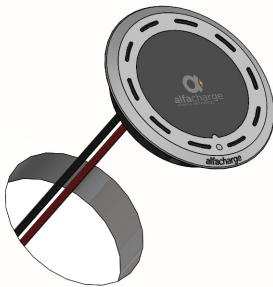
2.



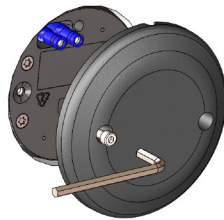
3.



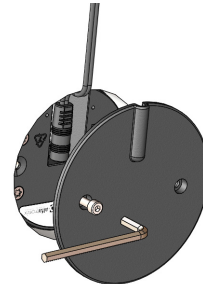
4.



5.



6.

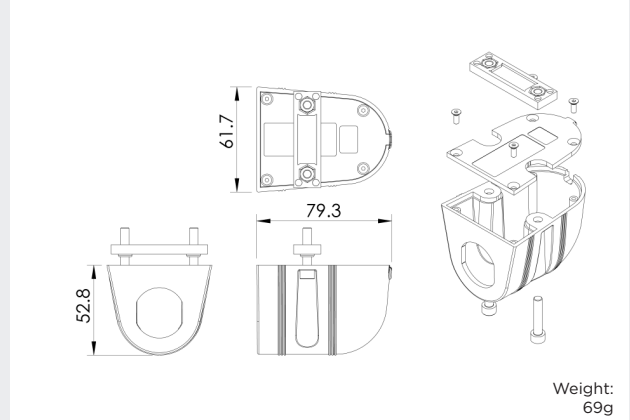


PVPro, PV65R & PVPWp INSTALLATION ACCESSORIES

USB-POD

FOR UNDERSEAT INSTALLATIONS

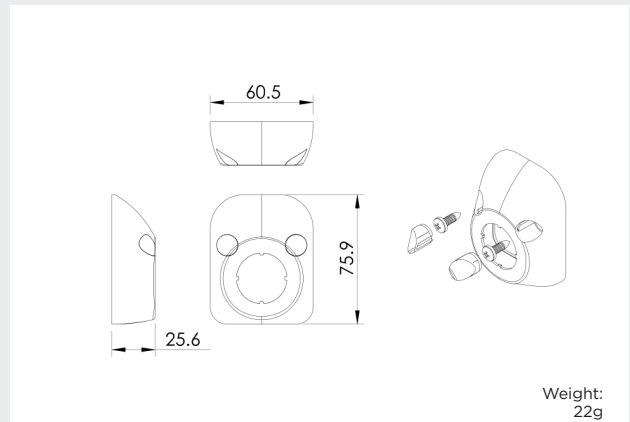
Rugged mounting pod for PVPro USB installation under seats, accessible from the front or rear. It can house PVPro, PV65R and PVPWp USB chargers and is also available as a complete assembly together with 1.2m of fused wiring.



USB-WPOD

FOR ON WALL INSTALLATIONS

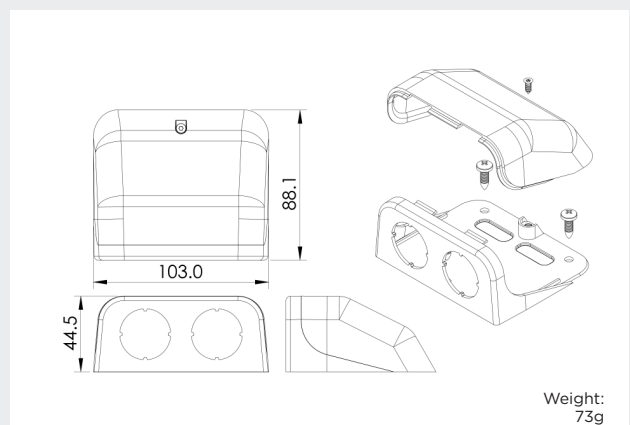
Wall-mounted housing to allow the standard PVPro & PVPWp range to be installed on the wall of the vehicle without the need of a 30mm drilled hole. It is fixed to the wall with screws hidden by tamper-proof overs and space is provided for a fuse to protect the wiring (recommended).



USB-TPOD

FOR TABLE TOP INSTALLATIONS

Designed to house two PVPro, PV65R or PVPWp USB chargers. It comes complete with fused internal wiring to allow for a single input source from the vehicle wiring. Using this system up to four USB outlets (2 x double units) can be made available for charging at tables.



Power conversion and battery management products for communications, marine and automotive applications

Produits de conversion d'énergie et de gestion de batterie pour les applications des secteurs communications, marine et automotive

Spannungswandler und Batterie-Management Produkte für Kommunikations-, Marine- und Fahrzeuganwendungen

Productos de conversión de energía y gestión de baterías para aplicaciones en los campos de la comunicación, marítimo y de la automoción



Alfatronix Limited,
29 Newtown Business Park,
Poole, Dorset, BH12 3LL,
Great Britain

Tel: +44 (0) 1202 715517
Email: sales@alfatronix.com
Web: www.alfatronix.com

Version: 2307