

OPERATING & ASSEMBLY INSTRUCTIONS

AL2-WS Podsole



TEL: +44 (0) 1202 715 517 • sales@alfatronix.com

SAFETY

SAFETY

- The device must not be exposed to severe mechanical shocks
- The device must not be exposed to extreme temperature, direct sunlight or vigorous vibration
- The device may only be used within a dry environment, such as a vehicle.
- Do not install this device on hot vehicle parts
- The wiring harness should be protected by fuses
- Observe the magnitude and polarity of the input voltage when installing, incorrect polarity of the input could damage the circuit
- Isolate the circuit before you connect or remove the device
- Never open the device casing and never repair it. The device must be replaced if it is damaged

FUSING

Each wireless charger must be fused individually:
12V input voltage = 3A fuse
24V input voltage = 2A fuse

CONTENTS

PACKING CONTENTS

AL1-H

- 1 x AL2-WS Wireless charger
- 4 x Screws
- 4 x Screw covers
- 2 x Crimp Connectors

ASSEMBLY

FEATURES

- 12V & 24V systems compatible (9-32Vdc)
- Qi charging protocol
- Supplied with FASTON crimp connectors

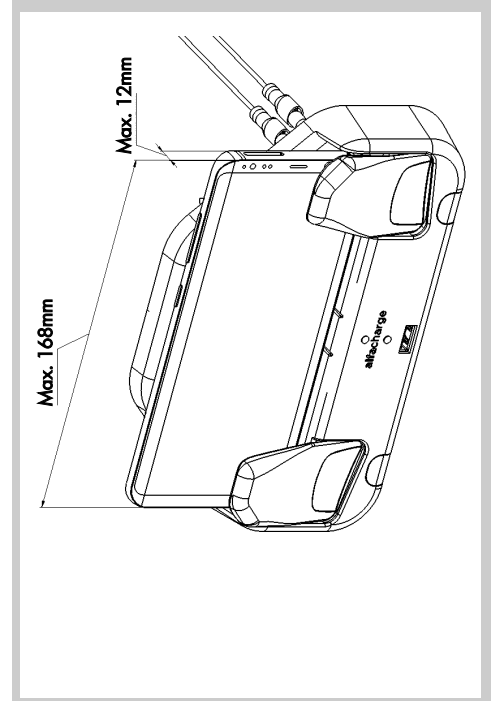
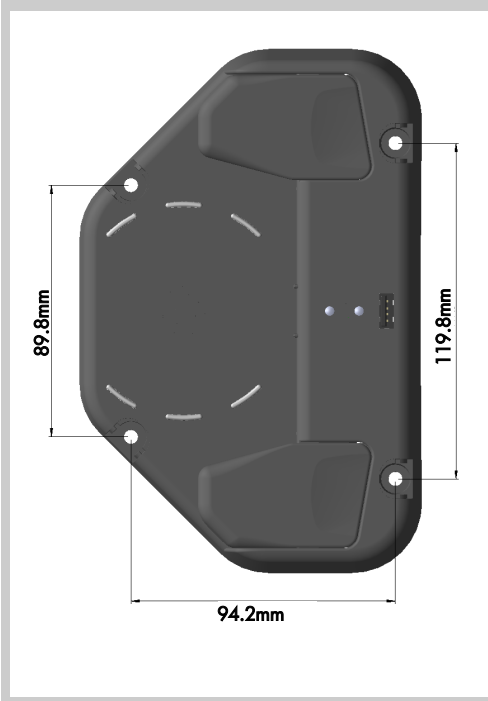
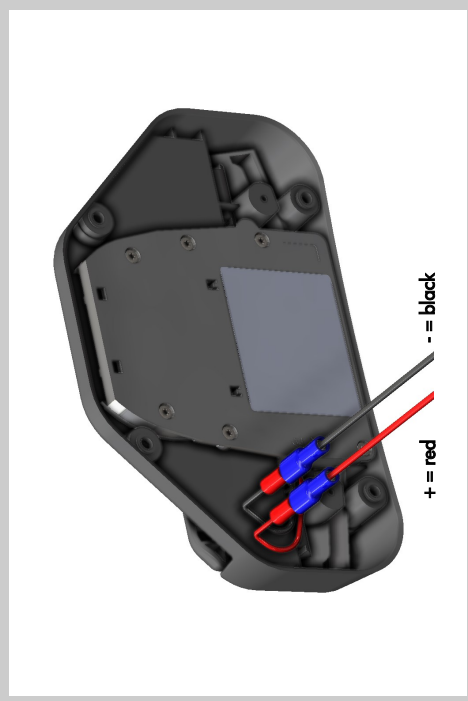
ASSEMBLY

1. Crimp cables on to blade terminals and plug onto unit
2. Using screws provided secure the device in desired location. (No.6 x 25 provided)
3. Connect to compatible power source (9V-32V, fused at 4A) and ensure blue light is on to check unit is working

OPERATING INSTRUCTIONS

The top LED is for the wireless charger—when idle the unit will display a constant blue light. To charge a device, place it centrally in of the Alfacharge unit. The device will display it is charging and the Alfacharge unit will change from a blue light to green

The bottom LED is for the USB charger—insert USB A cable into charging socket on charger and the other end into the phone



INFORMATION

TECHNICAL DATA

| Part Number | Power | Input Voltage | Output Voltage | Dimensions | Weight |
|-------------|-------|---------------|--------------------|------------|--------|
| AL2-WS | 5W | 9-32Vdc | Qi wireless / 5Vdc | 56x72x15mm | 225g |



This device complies with the EU directive 2014/30/EU. The type plate is located on the top of the device.